



1718 W. Fullerton Chicago, IL 60614
 Ph: 773.770.1195 • Fax: 773.935.5613
 www.PureEdgeLighting.com • info@PureEdgeLighting.com
 © 2016 PureEdge Lighting. All Rights Reserved.

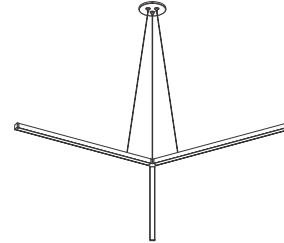
Installation Instructions for Cirrus MIYO Y LED Suspension with Power

CSD_P-Y-C_

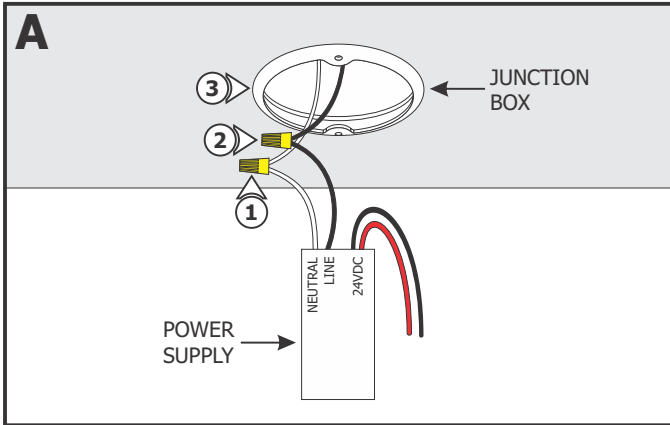
IMPORTANT INFORMATION

- This product is suitable for indoor locations.
- This instruction shows a typical installation.
- The luminaire either comes with a 4" flush canopy for the fixtures up to 50W or with an 8" round surface mount canopy for greater than 50W.

SAVE THESE INSTRUCTIONS!



Section One: 4" Flush Canopy

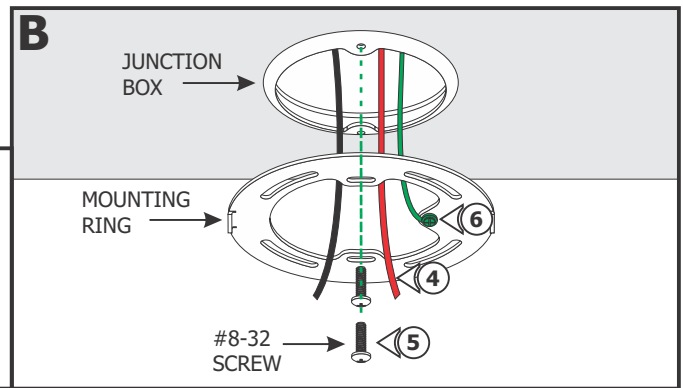


NOTE: Before beginning any electrical work, ensure that power to the junction box is turned off.

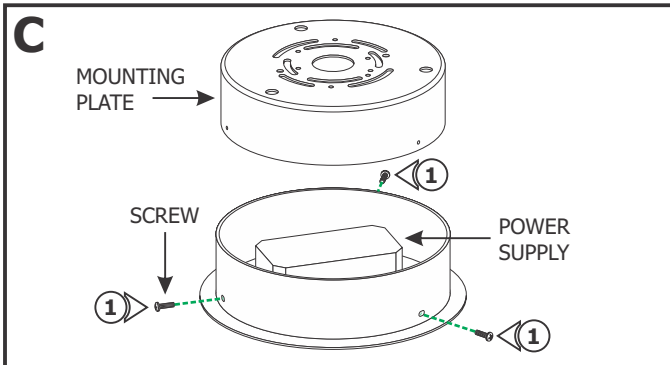
NOTE: Omit this section if using the 8" Surface Mount Canopy. Refer to Section Two.

- 1: Connect the white wire of the power supply to the 120VAC neutral wire with a wire nut.
- 2: Connect the black wire of the power supply to the 120VAC line wire with a wire nut.
- 3: Place the power supply and wires inside the junction box.

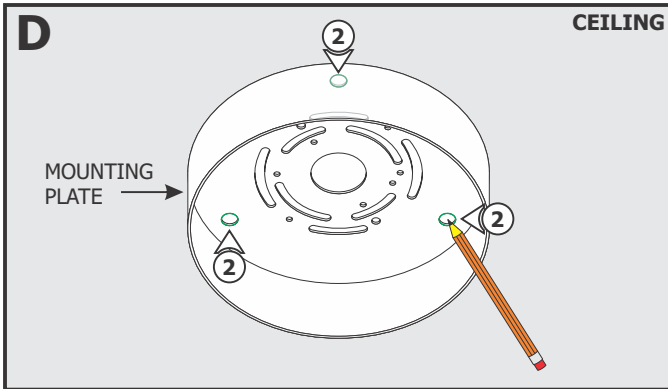
- 4: Feed the low voltage wires from the power supply through the center hole of the mounting ring.
- 5: Mount the ring to the junction box holes with two #8-32 screws.
- 6: Make sure that the mounting ring is grounded in accordance with local electrical codes.



Section Two: 8" Surface Mount Canopy

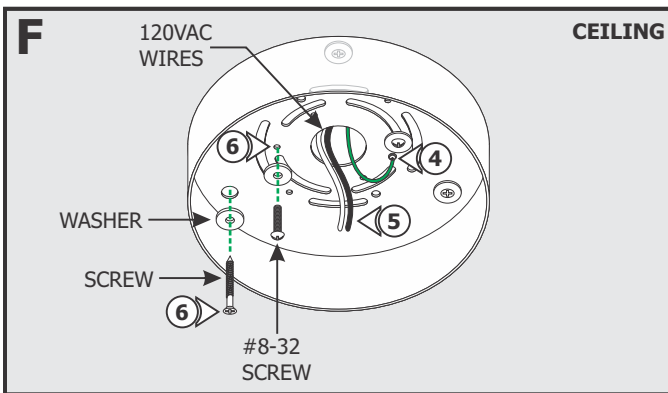
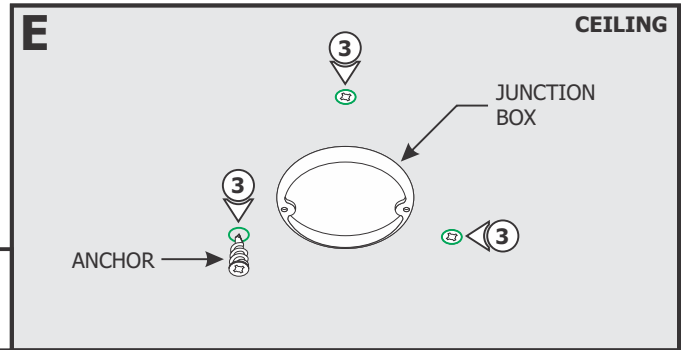


- 1: Remove the three Phillips screws from the canopy to remove the mounting plate.



2: Align the mounting plate holes with the junction box holes and mark the points through the mounting plate holes onto the ceiling. These points are used for the anchors.

3: Tap the anchors onto the marked points up to the threaded portion with a hammer. Then screw in the threaded portion with a Phillips screw driver.

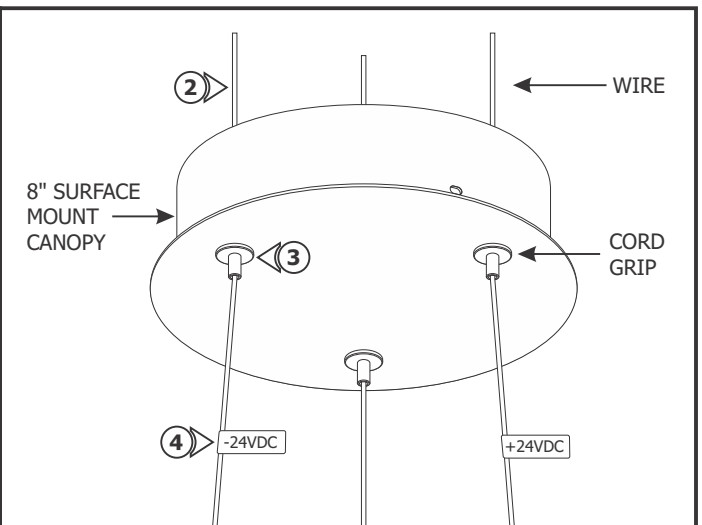
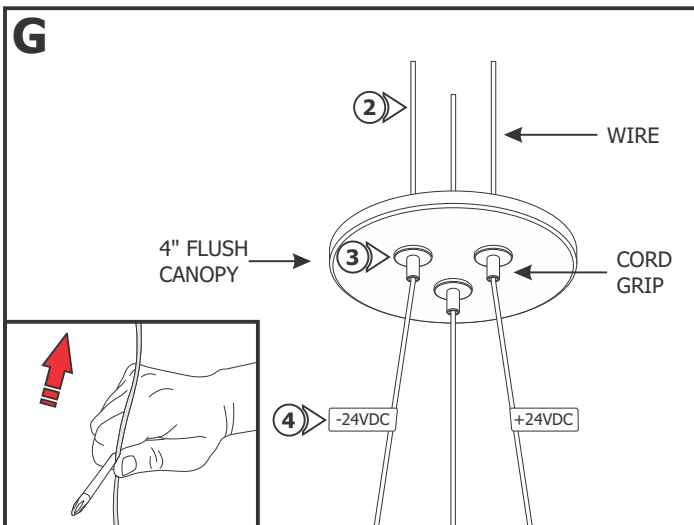


4: Make sure the mounting plate is grounded in accordance with local electrical codes.

5: Feed the 120VAC power wires through the center hole of the mounting plate.

6: Secure the mounting plate to the junction box and anchors using the provided screws and washers.

Section Three: Install the Fixture



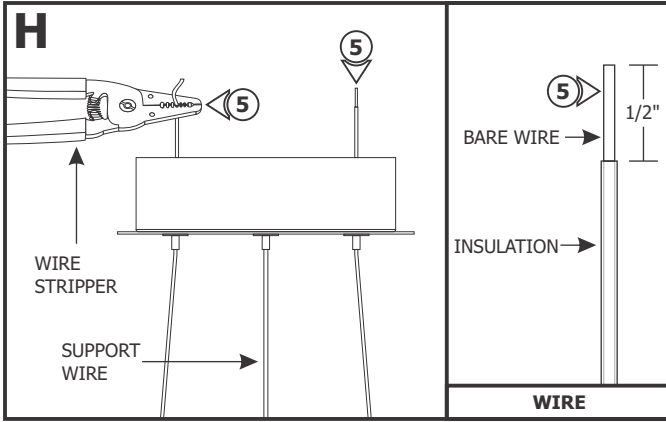
1: Determine the fixture height from the bottom of the channel to the top of the canopy.

2: Push each wire through the cord grips on the canopy.

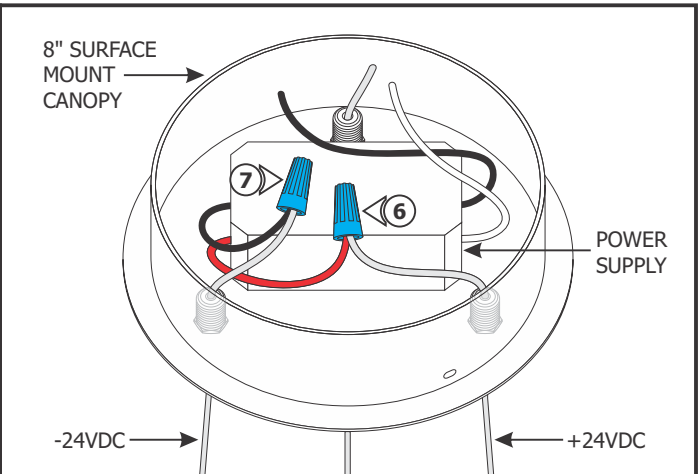
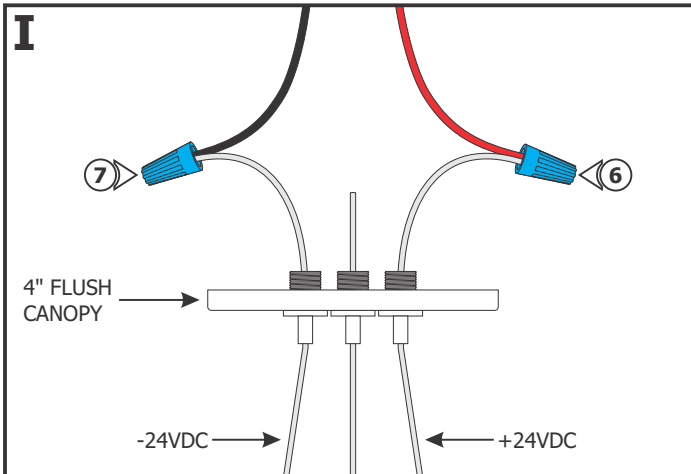
3: Adjust the fixture height by pushing the cord grip to slide the fixture up and down. Release the cord grip to lock the wire in place.

4: Identify the two power wires which are marked with +24VDC and -24VDC labels.

NOTE: If wire is curled or kinked, straighten by holding between the shaft of a screwdriver and thumb and pulling the wire through (see inset).

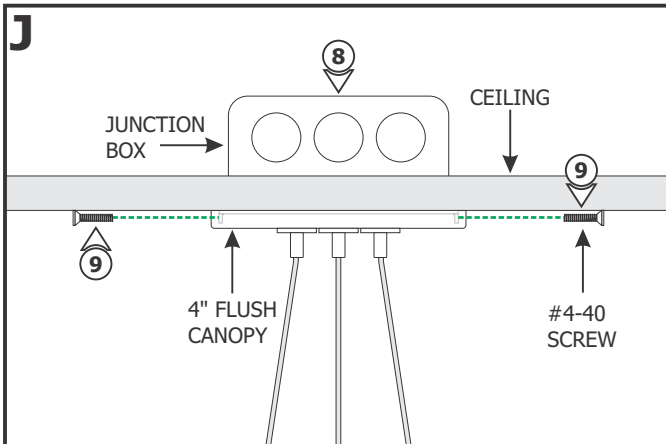


5: Use the #16 gauge hole of the AWG wire strippers to strip 1/2" of the outer plastic insulation from the two power wires. The other wire is used as support only.



For Both 4" Flush Canopy and 8" Surface Mount Canopy:

- 6:** Connect the wire marked +24VDC to the red power supply wire with a wire nut.
- 7:** Connect the wire marked -24VDC to the black power supply wire with a wire nut.

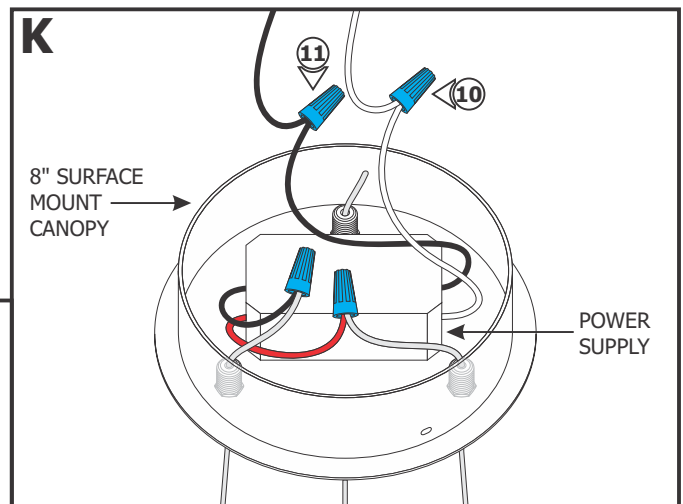


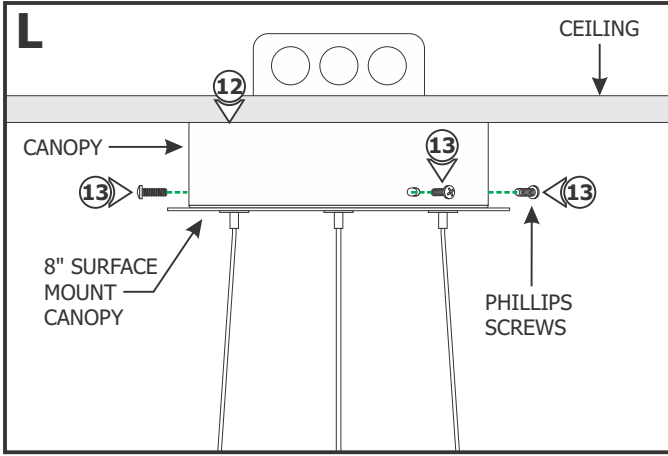
For 4" Flush Canopy:

- 8:** Place all wires and wire nut connections inside the junction box.
- 9:** Align the canopy with the mounting ring and secure it with the two #4-40 screws using a 1/16" Allen wrench.

For 8" Surface Mount Canopy:

- 10:** Connect the white power supply wire to the neutral power wire with a wire nut.
- 11:** Connect the black power supply wire to the hot power wire with a wire nut.

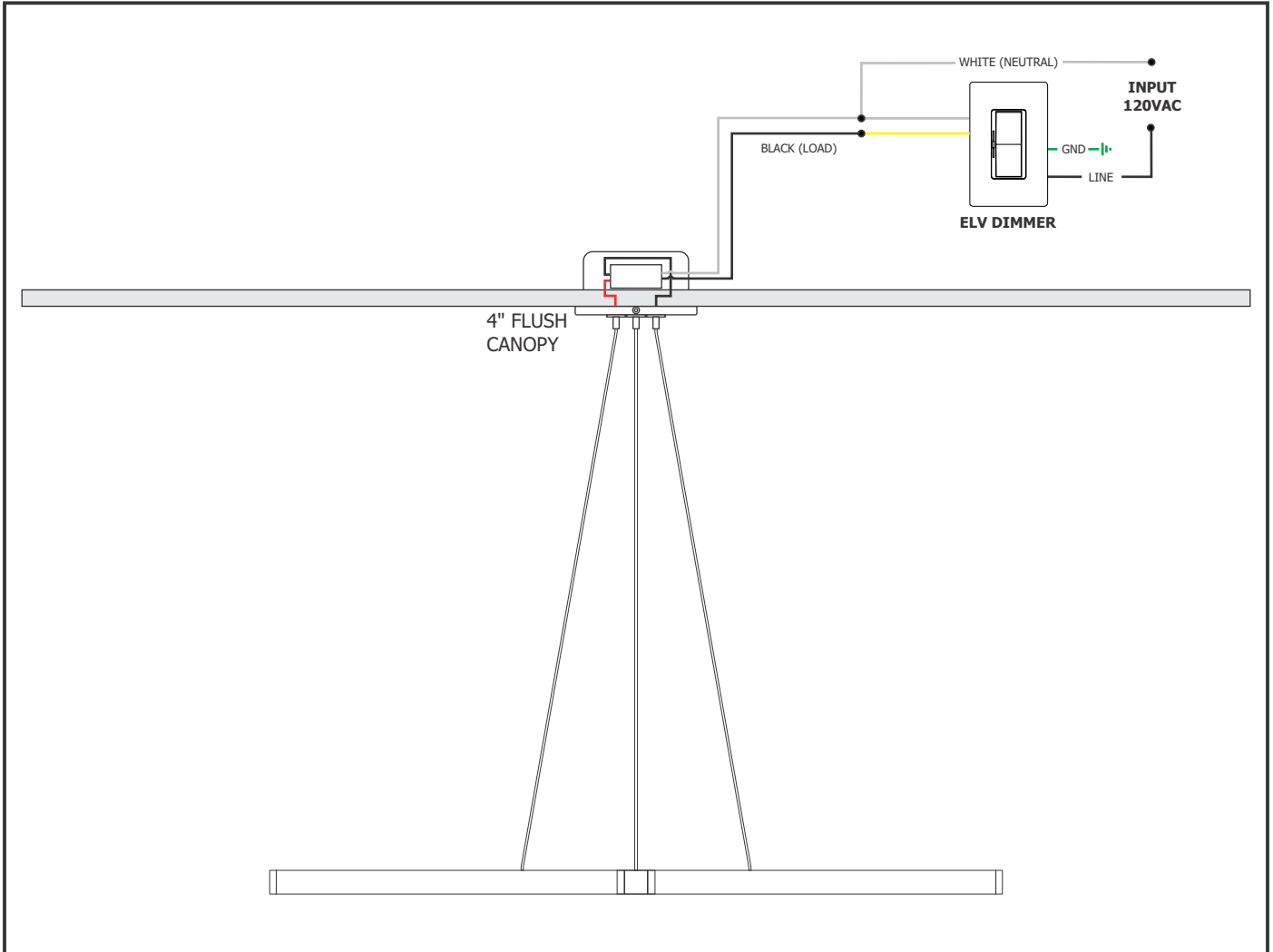




12: Place all wires and wire nut connections inside the canopy.

13: Align and secure the canopy to the mounting plate by tightening the three Phillips screws.

Wiring Diagram



Wiring Diagram

