



1718 W. Fullerton Chicago, IL 60614
 Ph: 773.770.1195 • Fax: 773.935.5613
 www.PureEdgeLighting.com • info@PureEdgeLighting.com
 © 2016 PureEdge Lighting. All Rights Reserved.

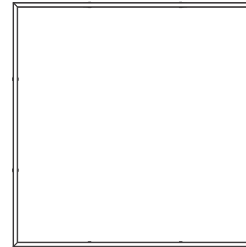
Installation Instructions for Cirrus T-Bar Geo Form System with Lit Corners, Square

CG__-TB_-SQ_-__

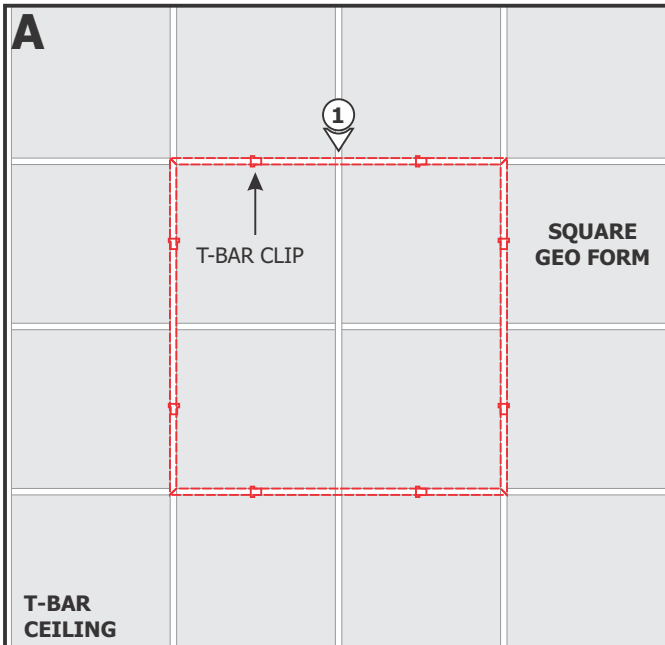
IMPORTANT INFORMATION

- This instruction shows a typical installation.
- This product mounts on T-Bar grid ceilings.
- It is recommended more than one person to assist in this installation.

SAVE THESE INSTRUCTIONS!



Section Two: Install the Fixture

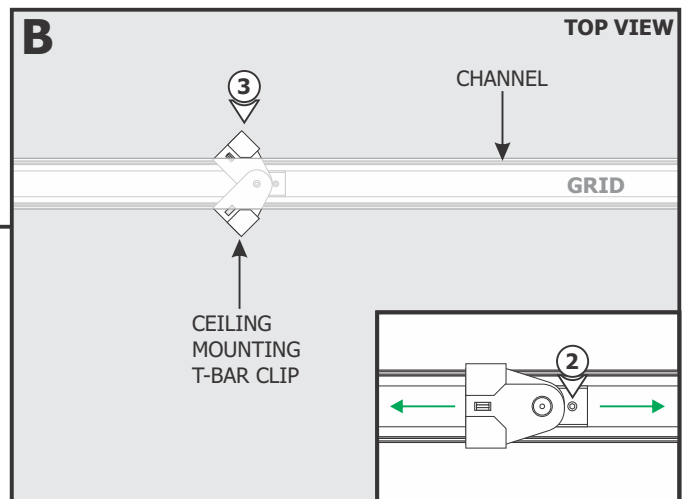


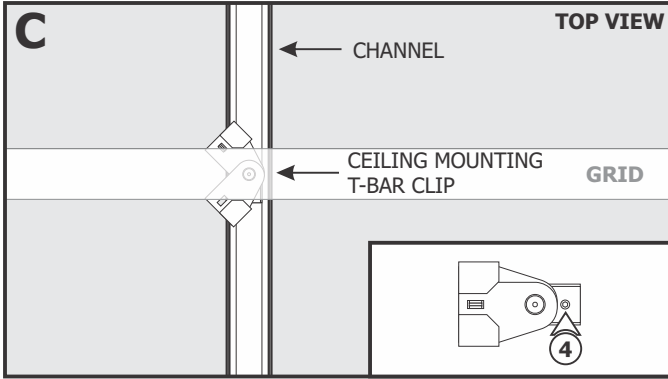
1: Determine the location of the fixture on the T-Bar ceiling.

NOTE: Omit steps 2 through 6 if using T-Bar Slot Mounting Clip (TBE).

2: Adjust the position of the Ceiling Mounting T-Bar Clip on the channel and align channel with the ceiling grid. If necessary, loosen (**Do Not Remove**) the #4-40 set screw on the Ceiling Mounting T-Bar clip and adjust the position.

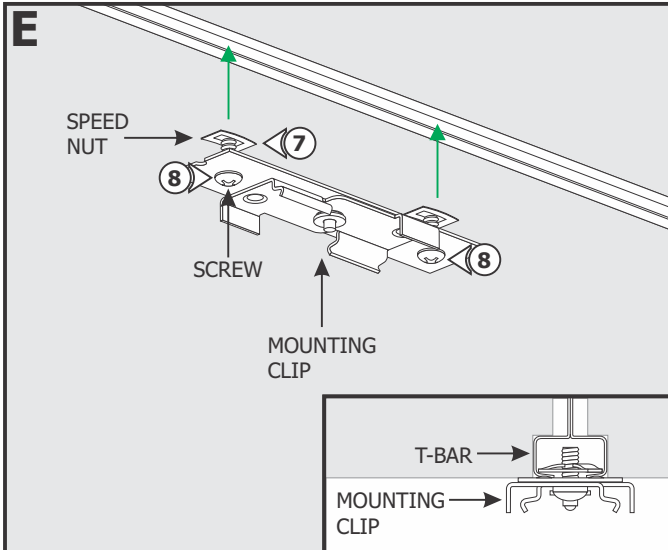
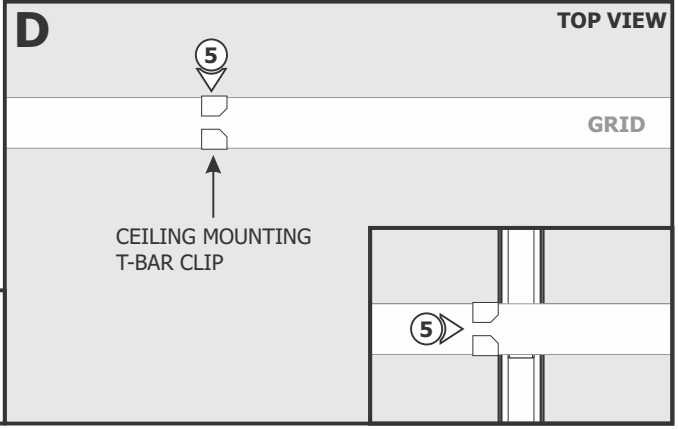
3: Open the T-Bar clip arms to fit over the grid.





4: If aligning the channel perpendicular to the grid, it may be necessary to remove the set screw from the clip to rotate the arms into position.

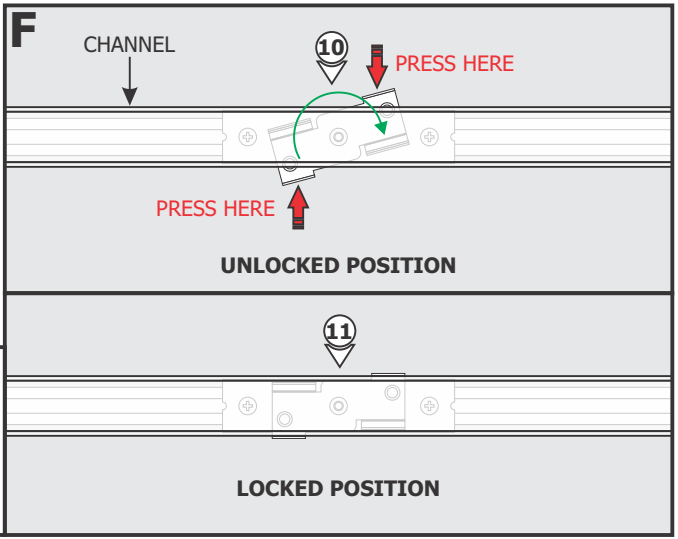
5: Place the T-Bar clip onto the grid and squeeze the arms together to secure in place.
6: Repeat for the other Ceiling Mounting T-Bar clips.

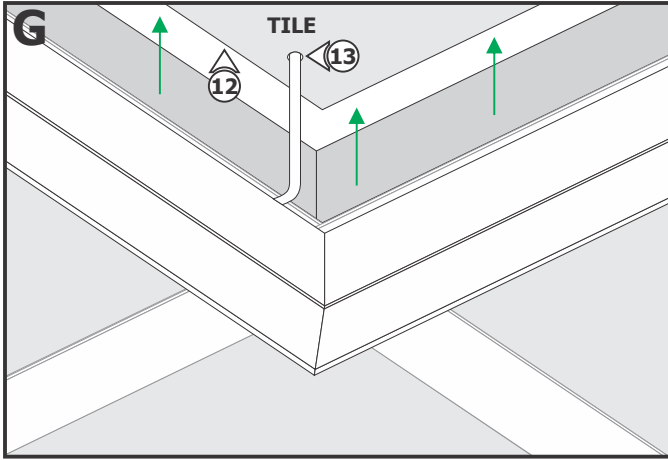


NOTE: Omit steps 7 through 11 if using the Ceiling Mounting T-Bar Clips (TBA and TBB).

7: Ensure the speed nuts on the T-Bar Slot Mounting Clip are parallel with the T-Bar. Insert the T-Bar Slot Mounting Clip into the T-Bar and adjust the position.
8: Tighten the two Phillips screws to secure in place.
9: Repeat for the other T-Bar Slot Mounting Clips.

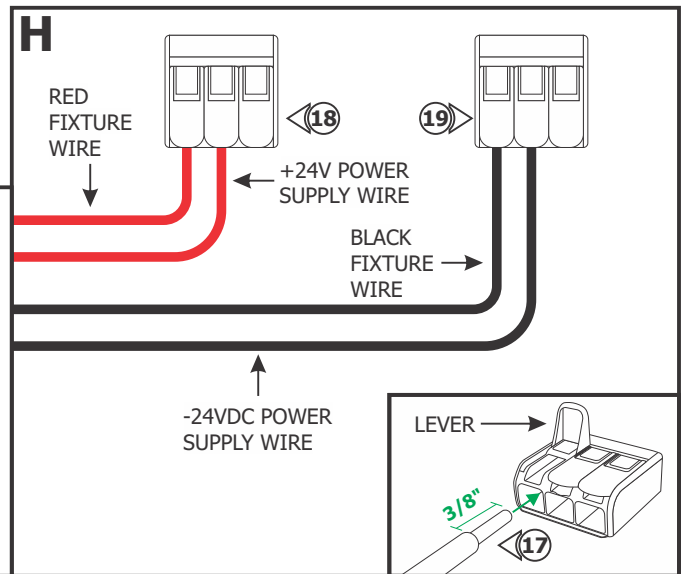
10: Make sure the T-Bar Slot Mounting Clips are in the unlocked position before placing the channel over the T-Bar Slot Mounting Clips.
11: Twist each T-Bar Slot Mounting Clip to lock the channel in place.



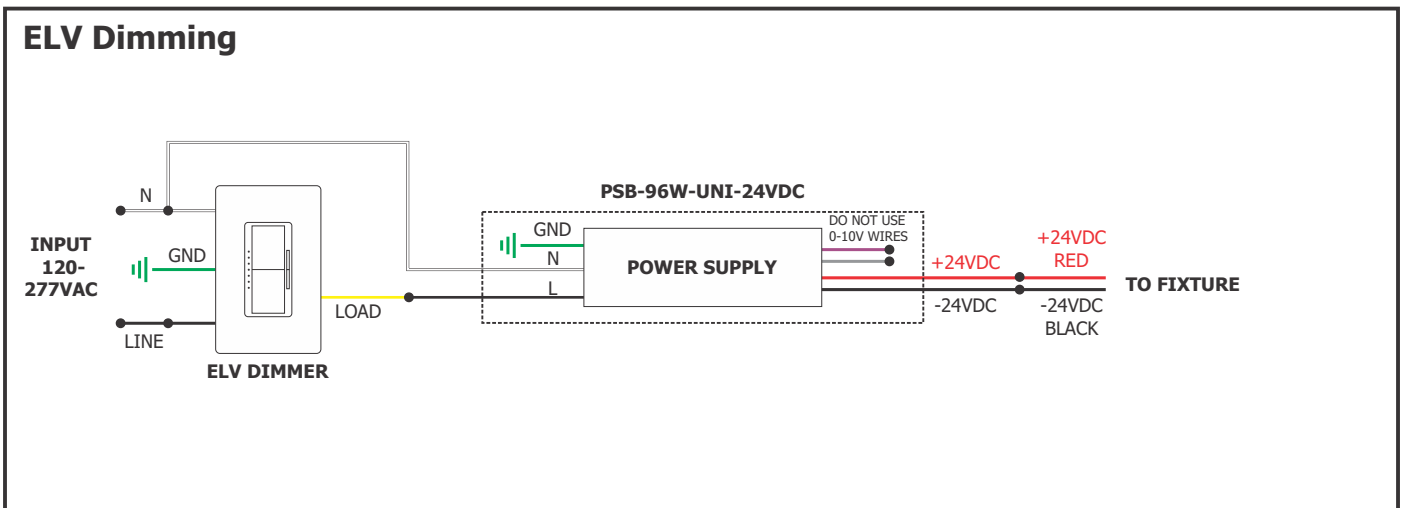


- 12:** Mark the location of the power cord(s) on the ceiling tile. Remove the ceiling tile.
- 13:** Drill a hole through the ceiling tile and feed the power cord through the hole.
- 14:** Route the power cord to the remote power supply. Refer to the instructions provided with the power supply.
- 15:** Replace the ceiling tile.
- 16:** Repeat steps 12 through 15 for each power cord.

- 17:** Strip 3/8" off of the fixture power wires and the 24VDC power supply wires.
- 18:** Pull up the levers of one lever nut and insert the +24VDC power supply wire and the red fixture wire. Push the levers down to connect and lock in place.
- 19:** Pull up the levers of the second lever nut and insert the -24VDC power supply wire and the black fixture wire. Push the levers down to connect and lock in place.
- 20:** Lightly tug on the wires to ensure they are secured in place.



General Wiring Diagram



General Wiring Diagram

0-10V Dimming

