



1718 W. Fullerton Chicago, IL 60614
 Ph: 773.770.1195 • Fax: 773.935.5613
 www.PureEdgeLighting.com • info@PureEdgeLighting.com
 © 2016 PureEdge Lighting. All Rights Reserved.

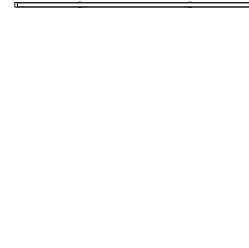
Installation Instructions for Cirrus T-Bar Geo Form System with Lit Corners, L Shape

CG __ -TB _-L _-__

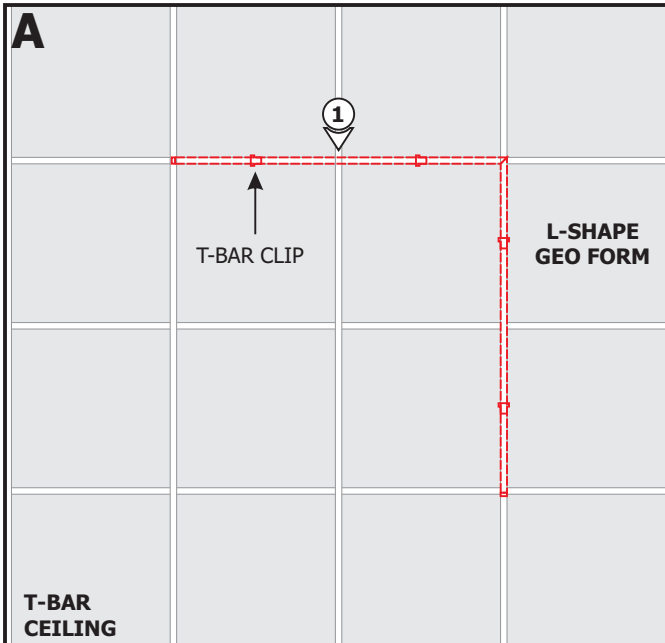
IMPORTANT INFORMATION

- This instruction shows a typical installation.
- This product mounts on T-Bar grid ceilings.
- It is recommended more than one person to assist in this installation.

SAVE THESE INSTRUCTIONS!



Section One: Install the Fixture



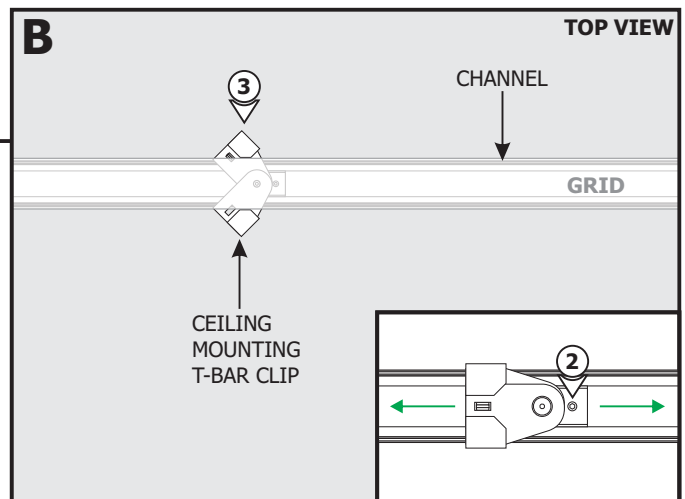
1: Determine the location of the fixture on the T-Bar ceiling.

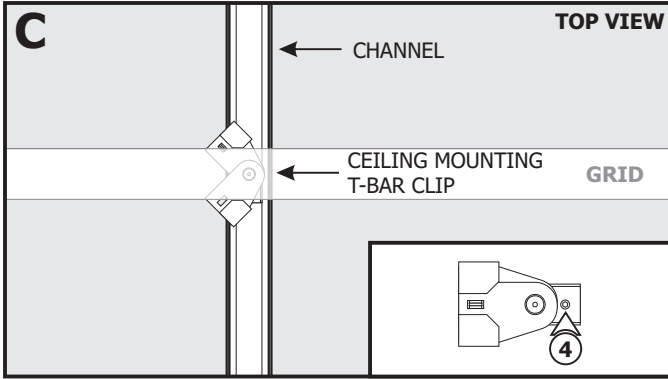
NOTE: To avoid injury to a person or damage to property below, make sure that T-Bar clips are installed properly.

NOTE: Omit steps 2 through 6 if using T-Bar Slot Mounting Clip (TBE).

2: Adjust the position of the Ceiling Mounting T-Bar Clip on the channel and align channel with the ceiling grid. If necessary, loosen (**Do Not Remove**) the #4-40 set screw on the Ceiling Mounting T-Bar clip and adjust the position.

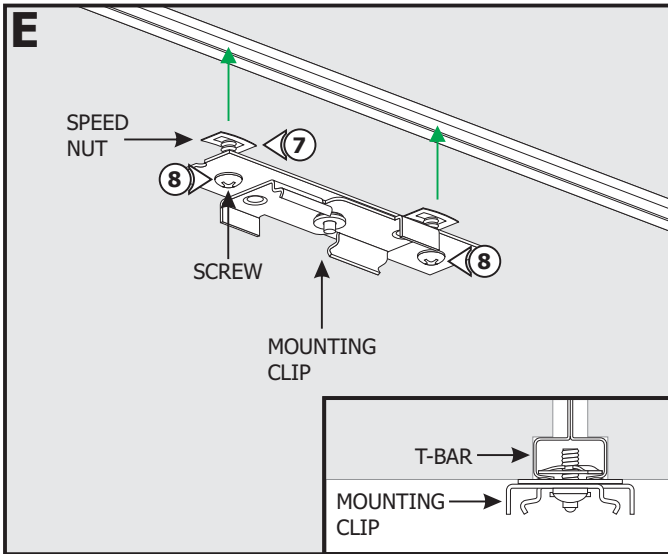
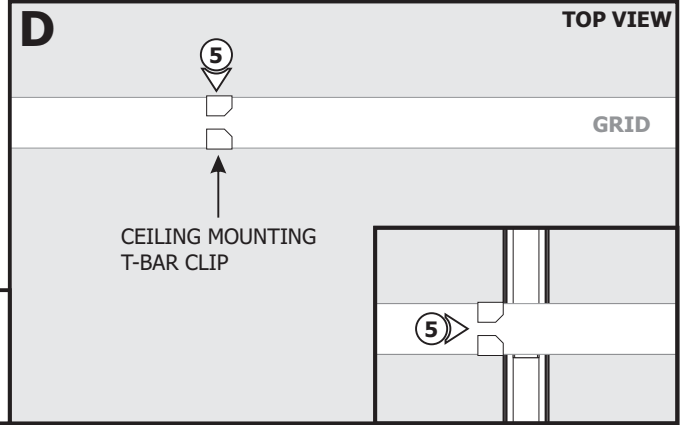
3: Open the T-Bar clip arms to fit over the grid.





4: If aligning the channel perpendicular to the grid, it may be necessary to remove the set screw from the clip to rotate the arms into position.

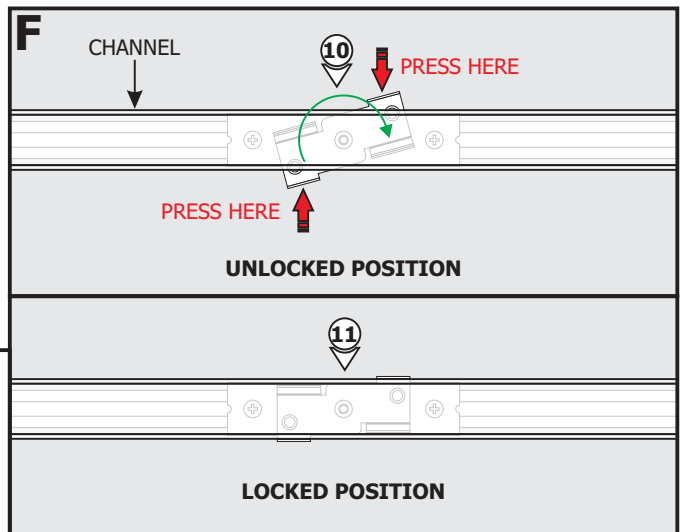
5: Place the T-Bar clip onto the grid and squeeze the arms together to secure in place.
6: Repeat for the other Ceiling Mounting T-Bar clips.

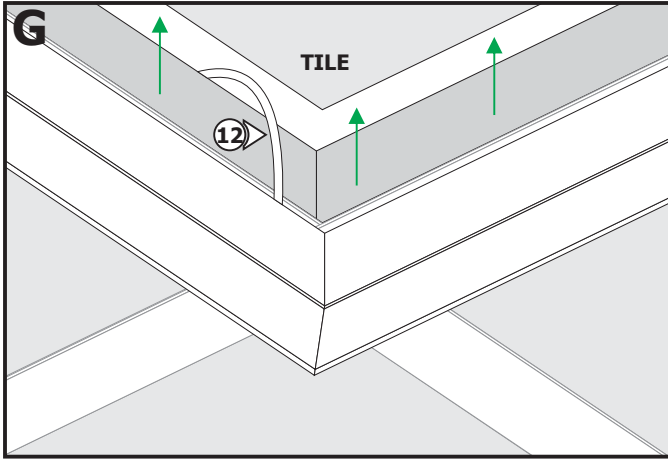


NOTE: Omit steps 7 through 11 if using the Ceiling Mounting T-Bar Clips (TBA and TBB).

7: Ensure the speed nuts on the T-Bar Slot Mounting Clip are parallel with the T-Bar. Insert the T-Bar Slot Mounting Clip into the T-Bar and adjust the position.
8: Tighten the two Phillips screws to secure in place.
9: Repeat for the other T-Bar Slot Mounting Clips.

10: Make sure the T-Bar Slot Mounting Clips are in the unlocked position before placing the channel over the T-Bar Slot Mounting Clips.
11: Twist each T-Bar Slot Mounting Clip to lock the channel in place.

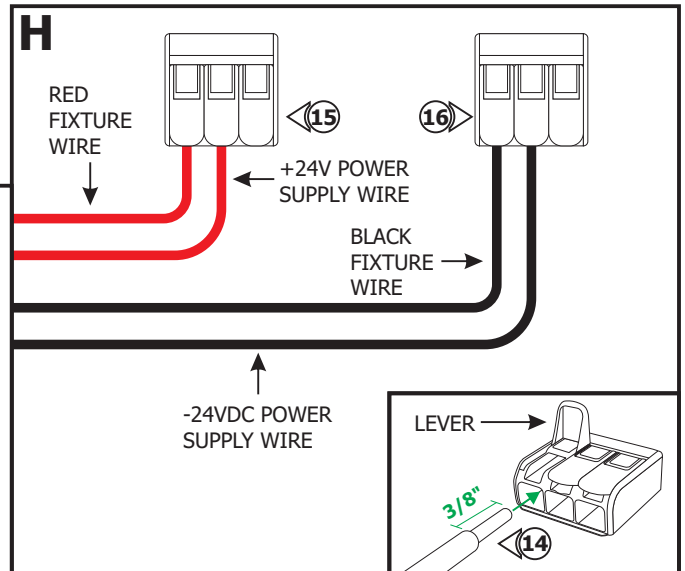




12: Lift the ceiling tile and route each power cable from the fixture to the remote power supply(ies). If necessary, drill out the edge of the tile slightly. Refer to the instructions provided with the power supplies.

13: Replace the ceiling tile.

- 14:** Strip 3/8" off of the fixture power wires and the 24VDC power supply wires.
- 15:** Pull up the levers of one lever nut and insert the +24VDC power supply wire and the red fixture wire. Push the levers down to connect and lock in place.
- 16:** Pull up the levers of the second lever nut and insert the -24VDC power supply wire and the black fixture wire. Push the levers down to connect and lock in place.
- 17:** Lightly tug on the wires to ensure they are secured in place.



General Wiring Diagram

