



1718 W. Fullerton Chicago, IL 60614  
 Ph: 773.770.1195 • Fax: 773.935.5613  
 www.PureEdgeLighting.com • info@PureEdgeLighting.com  
 © 2016 PureEdge Lighting. All Rights Reserved.

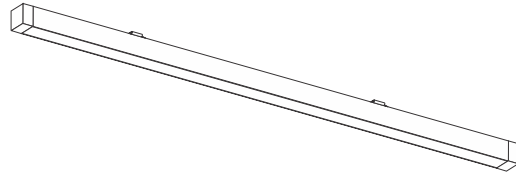
# Installation Instructions for Cirrus Ceiling D1 Downlight with T-Bar Clips and Remote Power

CC\_\_-\_\_-TB-\_\_

## IMPORTANT INFORMATION

- This instruction shows a typical installation.
- This product is ceiling mount.
- It is recommended more than one person to assist in this installation.

**SAVE THESE INSTRUCTIONS!**



## Section One: Install the Fixture

**A**

**1:** Determine the location of the fixture on the T-Bar ceiling.

**B**

**TOP VIEW**

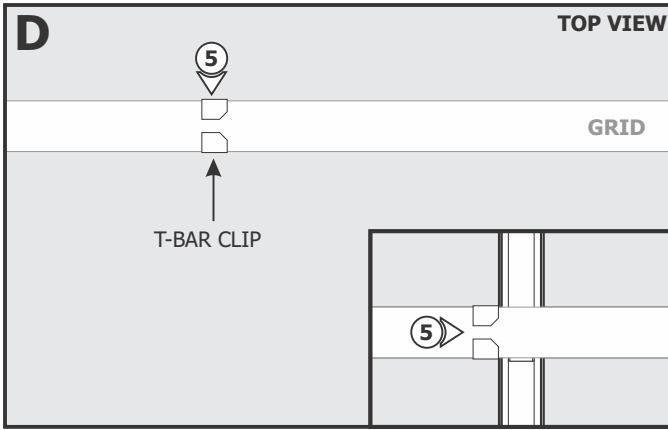
**2:** Adjust the position of the T-Bar clip on the channel and align channel with the ceiling grid. If necessary, loosen (**Do Not Remove**) the #4-40 set screw on the T-Bar clip and adjust the position.

**3:** Open the T-Bar clip arms to fit over the grid.

**C**

**TOP VIEW**

**4:** If aligning the channel perpendicular to the grid, it may be necessary to remove the set screw from the clip to rotate the arms into position.

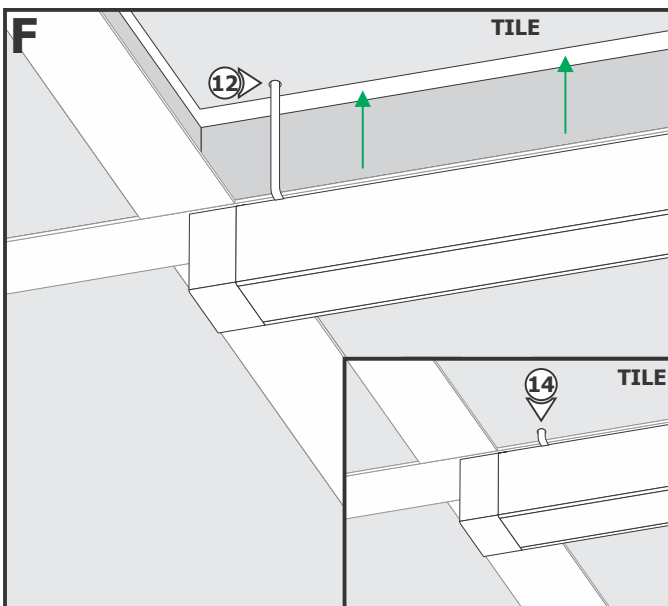
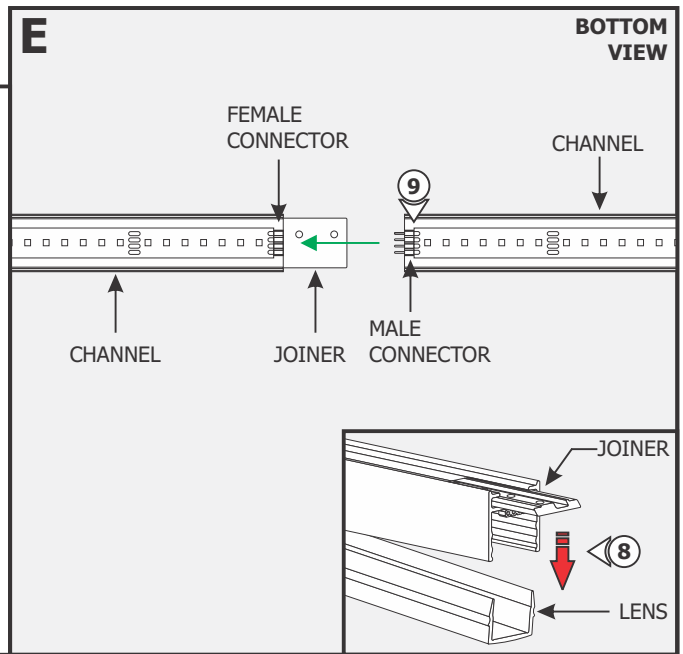


- 5:** Place the T-Bar clip onto the grid and squeeze the arms together to secure in place.
- 6:** Repeat for the other T-Bar clips.

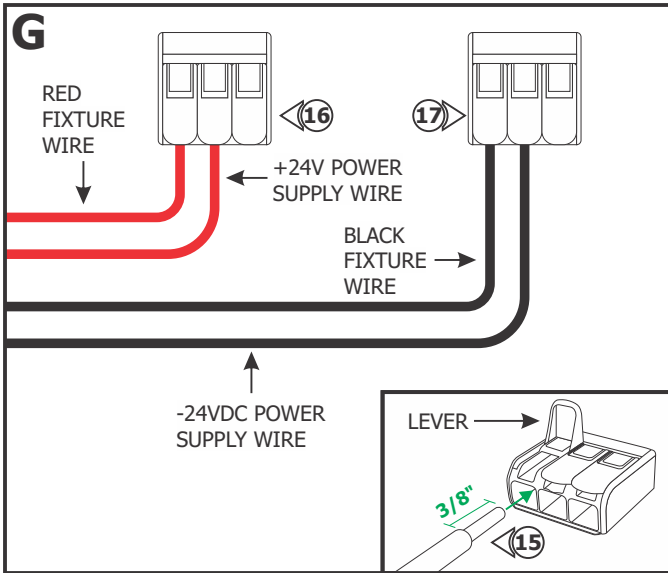
**NOTE:** Omit steps 7 through 10 if the channel is made out of a single piece (120" or less).

**NOTE:** If applicable, multiple channels must be installed to the ceiling one at a time.

- 7:** Lift the next channel section up to the ceiling and align with the previous section. Refer to steps 2 through 5 to install the T-Bar clips.
- 8:** Lift a section of the lens or louver at the end of the channels where the connectors are visible.
- 9:** Slide the channel over the joiner on the previous channel making sure that the male & female connectors mate properly. Push the lens or louvers back into the channel.
- 10:** Continue to connect additional channels one at a time until the fixture is complete.



- 11:** Mark the location of the power cord on the ceiling tile. Remove the ceiling tile.
- 12:** Drill a hole through the ceiling tile and feed the power cord through the hole.
- 13:** Route the power cords to the remote power supply. Refer to the instructions provided with the power supply.
- 14:** Replace the ceiling tile.



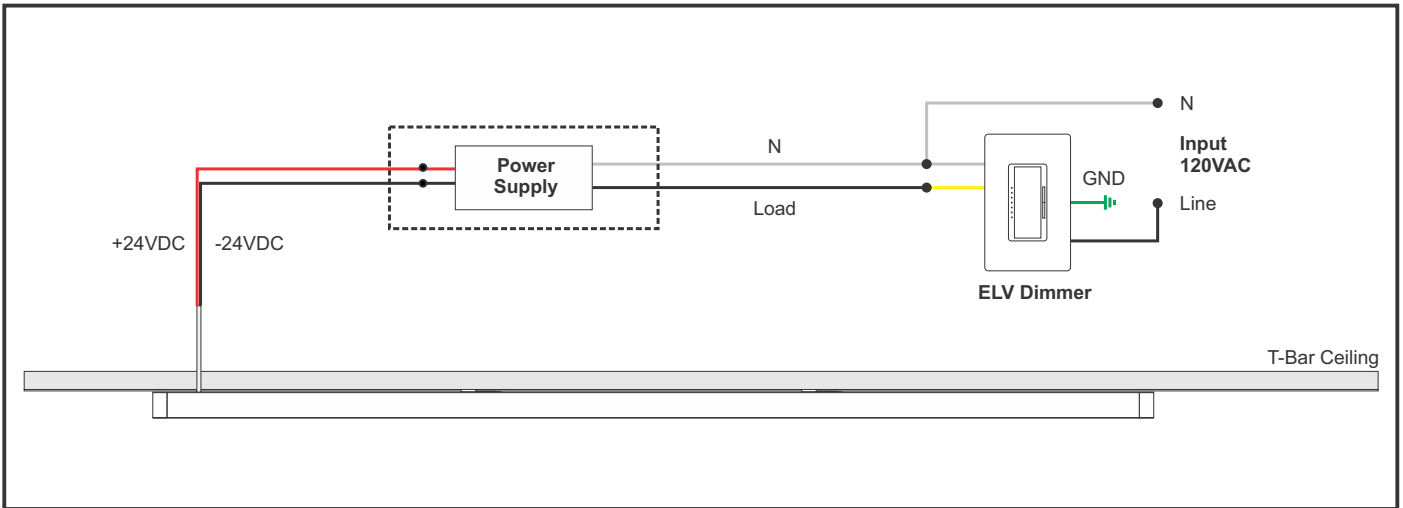
**15:** Strip 3/8" off of the fixture power wires and the 24VDC power supply wires.

**16:** Pull up the levers of one lever nut and insert the +24VDC power supply wire and the red fixture wire. Push the lever down to connect and lock in place.

**17:** Pull up the levers of the second lever nut and insert the -24VDC power supply wire and the black fixture wire. Push the lever down to connect and lock in place.

**18:** Lightly tug on the wires to ensure they are secured in place.

### General ELV Wiring Diagram



### General 0-10V Wiring Diagram

