



1718 W. Fullerton Chicago, IL 60614
 Ph: 773.770.1195 • Fax: 773.935.5613
 www.PureEdgeLighting.com • info@PureEdgeLighting.com
 © 2016 PureEdge Lighting. All Rights Reserved.

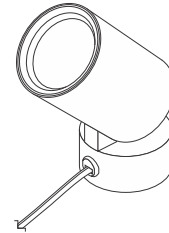
Installation Instructions for **Big Shorty**

BSF-MR16-12V-__

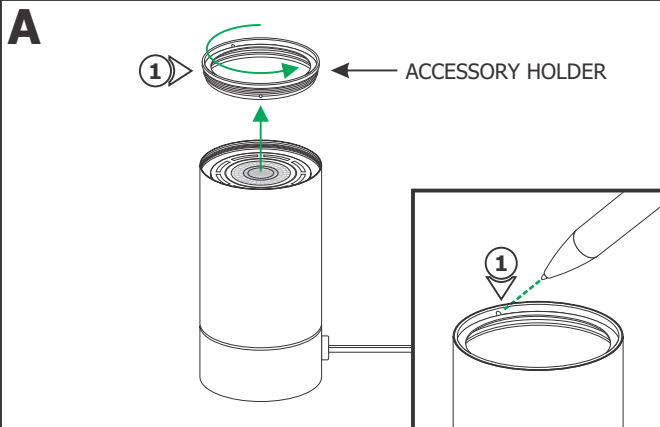
IMPORTANT INFORMATION

- This product is ETL listed.
- This instruction shows a typical installation.
- This product is suitable for dry locations.
- This product is dimmable with an ELV dimmer connected to the outlet.

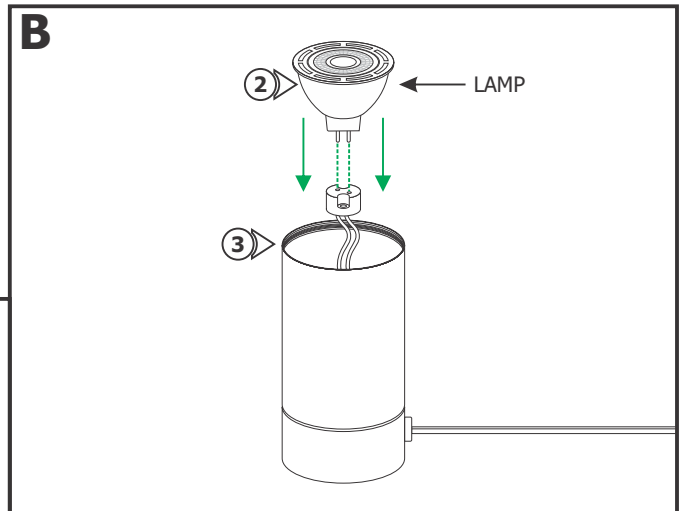
SAVE THESE INSTRUCTIONS!



Install the Fixture



1: Insert a pin such as a pen into the lamp cover and rotate counter-clockwise to remove the accessory holder.

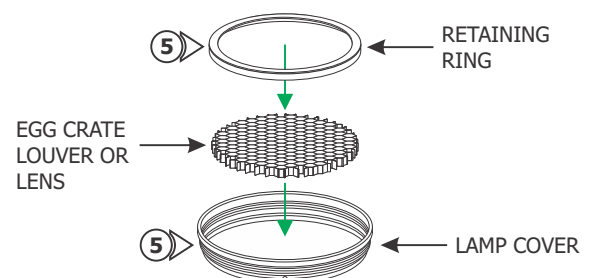
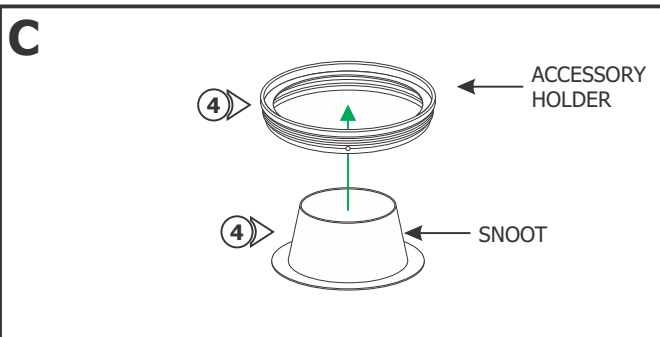


NOTE: Use **MAX 9** Watt Type MR16 LED lamp.



2: Align and completely install the LED MR16 lamp pins into the socket holes.

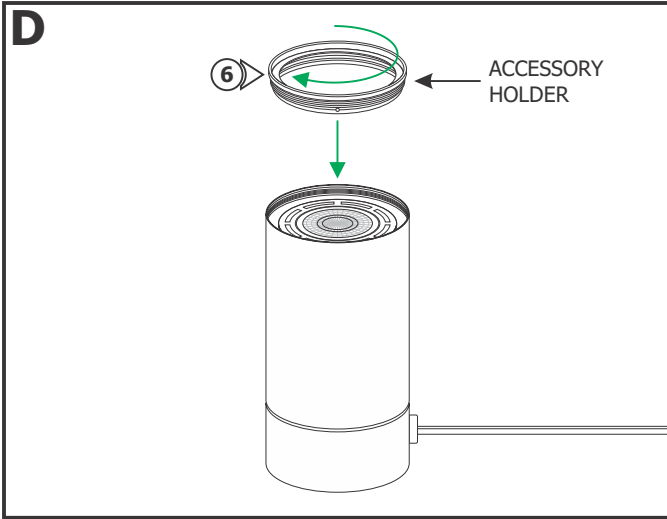
3: Place the lamp properly inside the fixture.



NOTE: Omit steps 4 and 5 if not using an accessory.

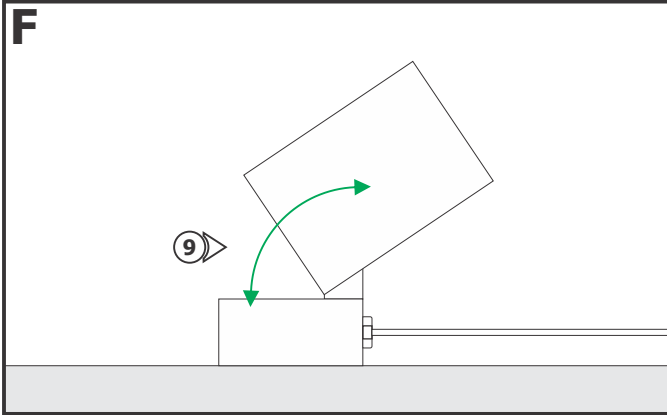
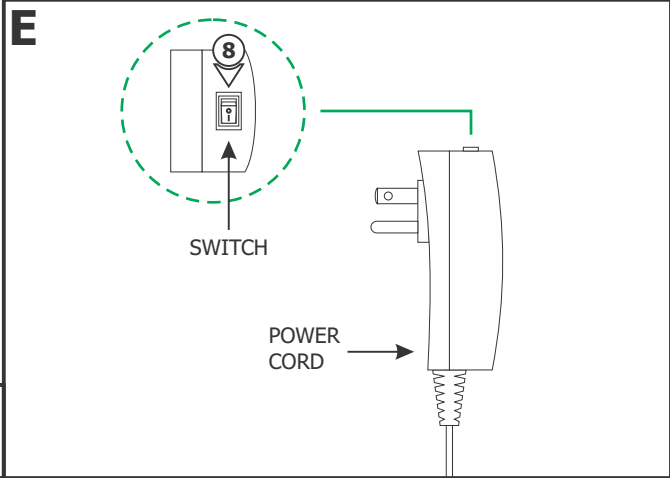
4: To install the Snoot or Half Snoot, simply place the snoot behind the accessory holder.

5: Unsnap the retaining ring to install an Egg Crate Louver or a lens inside the lamp cover. Snap back the retaining ring to hold the accessory in place.



6: Screw the accessory holder back clockwise to secure in place.

7: Plug in the power cord into an outlet.
8: Turn on the switch.



9: Adjust the angle of the fixture by rotating the body.