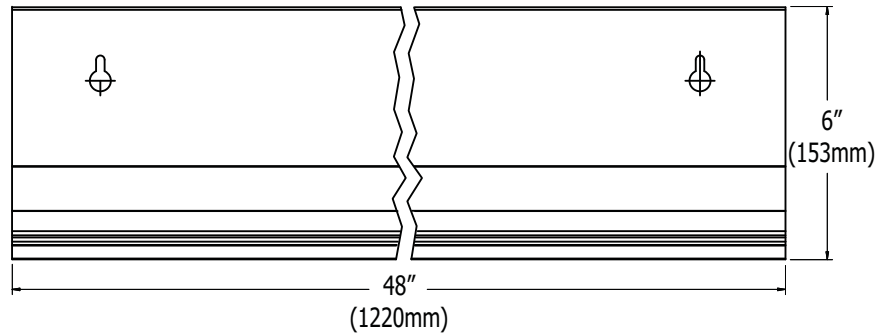


# Stratus LED Linear Wall Grazer

SH4 - SP4 - \_\_\_\_\_

Design by Gregory Kay. Patent Pending

Linear Wall Grazer



NOTE: If using a pair of end caps (ordering code **SG-CAP**) add 1/16" for each end cap to overall length

## Wall Mounted View

**Description:** Specification grade recessed plaster-in (drywall) flangeless or surface mount wall grazer. The Stratus system illuminates walls or other vertical textured surfaces with an evenly distributed light down to the floor with an 8° x 160° beam, spreading out like horizontal strips of clouds. Fixtures are mounted against textured wall and may be spaced up to 6" (153mm) from either end without visible dark spots.

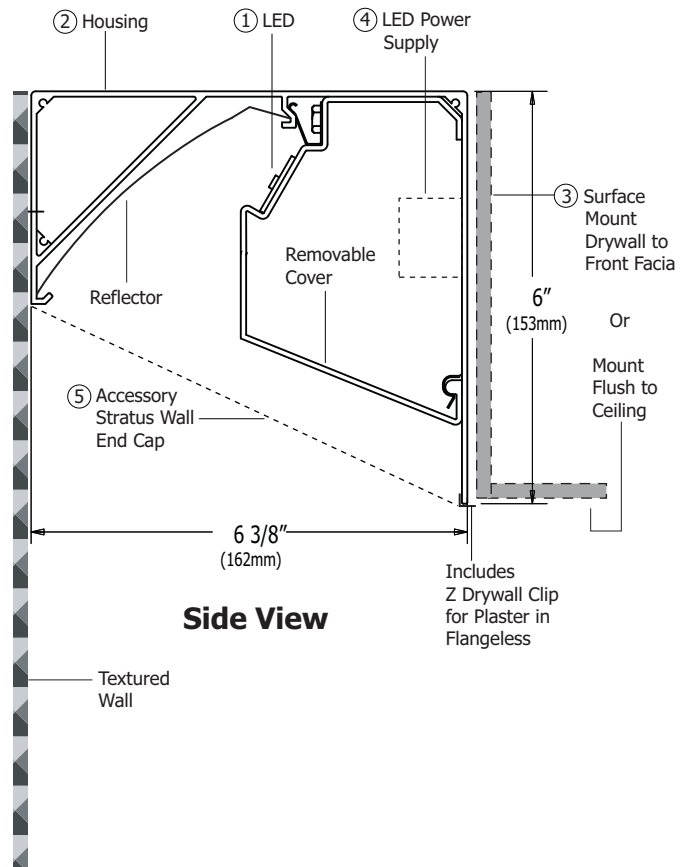
- ① **LED Lamp:** 12 LEDs 14 watts per ft warm white and cool white color temperatures.  
SH1 = 15 watts SH4 = 60 watts
- ② **Housing:** 1/16" (0.42cm) aluminum
- ③ **Mounting:** Hardware for all three types of installation conditions: new residential, new commercial and remodel.
- ④ **Electrical:** Internal 120-277 Volt, 50-60 Hz LED power supply per unit.
- ⑤ **Accessories:** Stratus wall end cap - white. Ordering code: **SG-CAP**

**Dimmer Type:** Lightolier® Sunrise #ZP600fam120W

**Label:** ETL listed for dry or damp location.

**Weight:** 1' (0.3m) = 5 lbs (2.25kg)

4' (1.2m) = 13 lbs (6kg)



## Stratus Ordering Code For Complete Fixture:

Stratus Housing	Stratus LED Panel	Color Temperature
<b>SH4</b>	<b>SP4</b>	<b>WW</b>
1 - 1' (0.3m) 4 - 4' (1.2m)	1 - 1' (0.3m) 4 - 4' (1.2m)	<b>WW</b> - Warm White - 2950K <b>CW</b> - Cool White - 4200K

COMPANY:	FIXTURE TYPE:	DATE:
PROJECT:	APPROVED BY:	

Product specification subject to change without notification. Valid as of April 21, 2008. Revision 1.

www.purelighting.com  
Ph: 773.770.1196  
Chicago, IL 60614  
Fax: 773.883.6128

