

INSTALLATION INSTRUCTIONS FOR

SONNY-KIT

- This product is ETL listed.
- This product is suitable for in indoor dry locations only.
- This product is for new construction jobs.
- This product can be dimmed with a low voltage electronic dimmer.

CAUTION-RISK OF FIRE

This product requires installation by a qualified electrician. Before installing, be sure to read all instructions and **TURN THE POWER TO THE ELECTRICAL BOX OFF.**

STEP 1

Before putting up the dry wall, mount the aluminum box to the wall stud. Run the 120v supply wire from one box to the next. Using the screws provided, mount the plaster screen onto the aluminum box. Next measure and then cut the drywall appropriately so that the square hole on the plaster screen is not covered. The metal edges coming out should be the border for the hole in the drywall.

STEP 2

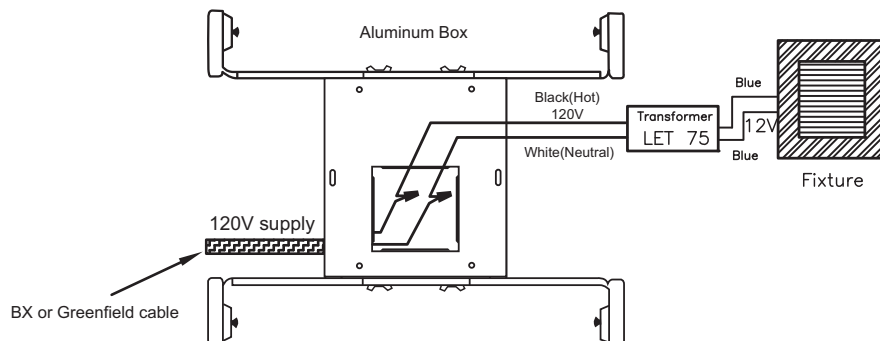
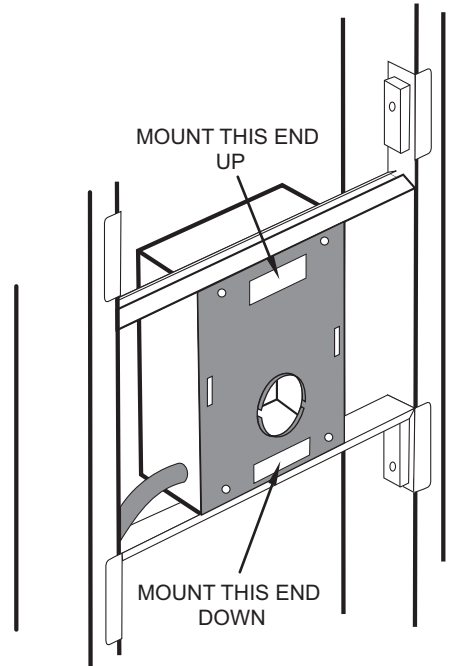
Next, after the drywall is properly installed and the 120v wires are run, make the connections to the transformer. The wires coming from the fixture should be connected to the blue 12v wires coming out of the transformer. The 120v supply wires should be connected to the black and white wires on the transformer. The 120v hot supply wire should be connected to the black transformer wire, and the 120v neutral supply wire should be connected to the white wire coming out of the transformer.

STEP 3

Carefully, put the transformer and the wire into the aluminum box. Next push the fixture into the hole that was cut in the dry wall. To make sure it goes in smoothly and does not damage the dry wall, push in the metal spring clips on the side as you are pushing it in.

STEP 4

Insert 20W / G4 / 12V bulb. Do not touch bulb with bare hands. Use oil free tissue or gloves.



Edge
LIGHTING