

VEGA ROUND



Description: Vega Round suspension features top and bottom white glass diffusers and a silver, black or white body finish. 80" (203cm) of field adjustable mounting cable. Also available in Oval version. Available in halogen (2 x 150W T10 double envelope lamps) or two different compact fluorescent (2 x 26W or 2 x 42W T4 lamps) versions in 120V, 230V (50Hz) or 277V (60Hz). Lamps and electronic ballast included. General light distribution.

Diffuser: White

Body Finish: Silver, Black or White

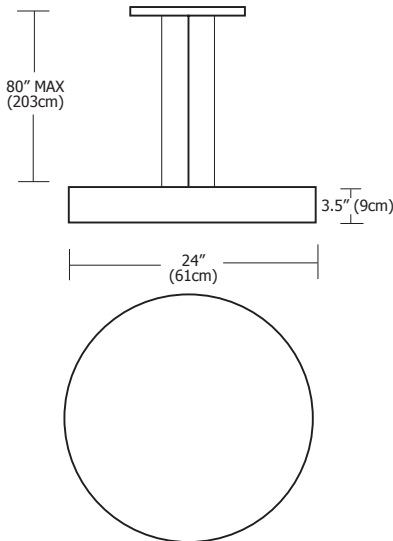
Lamp:
HALOGEN (H)
 H1 - 2xT10/MED/150W
FLUORESCENT (F)
 F1 - 2xT4/G24D-3/26W
 F2 - 2xT4/GX24Q/42W

Total Wattage: H1 - 300W
 F1 - 52W - 3500K
 F2 - 84W - 3500K

Dimmer: Halogen - incandescent
 Fluorescent - electronic ballast; not dimmable

Dimensions: L 24" x W 24" x H 3.5"
 L 61cm x W 61cm x H 9cm

Weight: 20 lbs (9 kg)



Ordering Code	Description	Lamp	Finish	Voltage
VEGA	RD -RD - Round	H1 -H1 - Halogen -F1 - Fluorescent -F2 - Fluorescent	SI -SI - Silver -BK - Black -WH - White	Standard 120V (leave blank) -2 - 230V 50Hz -3 - 277V 60Hz (F1 and F2 only)

COMPANY:	FIXTURE TYPE:	DATE:
PROJECT:	CONSULTANT:	APPROVED BY: