

LYRA 26, 48 & 96



Description: Lyra series of 26" (66cm), 48" (122cm) and 96" (244cm) linear suspensions combine T5 fluorescent and MR16 halogen lamps for application in offices, hallways, retail, conference rooms, kitchens or contemporary dining. 60" (152cm) and 120" (305cm) versions also available. White diffuser for fluorescents, soft diffusing lenses and eggcrate louvers prevent glare from MR16s. Constructed of extruded aluminum alloy in satin aluminum finish. 58" (147cm) of field adjustable mounting cable can be field wired for separate switching between fluorescent and halogen sources (may dim halogen). Two or four T5-3500K high output fluorescent lamps (included) provide diffused direct/indirect light. Three or six 50 watt GE ConstantColor® MR16 lamps (included) provide directional light. MR16 lamp holders are adjustable on the vertical and horizontal axes. Low voltage electronic transformers and electronic ballasts included. All available in 120V, 230V (50Hz) or 277V (60Hz).



Diffuser: White

Body Finish: Satin Aluminum

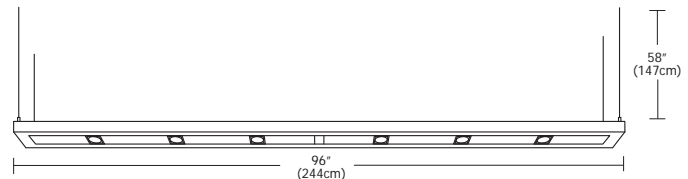
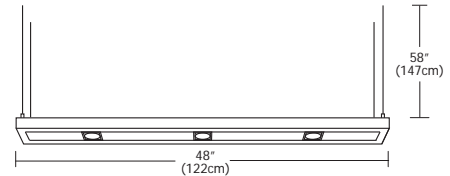
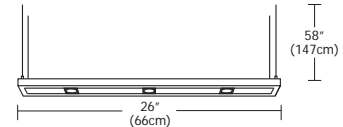
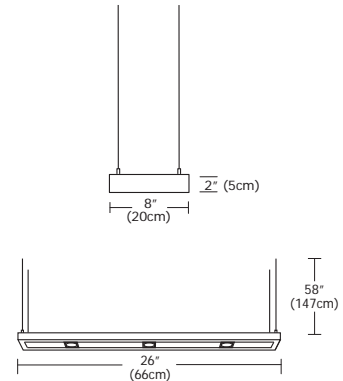
Lamp:
 26 - 3xMR16/GU5.3/50W/12V + 2xT5HO/MINI-BIPIN/24W
 48 - 3xMR16/GU5.3/50W/12V + 2xT5HO/MINI-BIPIN/39W
 96 - 6xMR16/GU5.3/50W/12V + 4xT5HO/MINI-BIPIN/39W

Total Wattage:
 26 - 198W
 48 - 228W
 96 - 456W

Dimmer:
 Halogen - low voltage electronic
 Fluorescent - electronic ballast; not dimmable

Dimensions:
 26 - L 26" x W 8" x H 2"
 L 66cm x W 20cm x H 5cm
 48 - L 48" x W 8" x H 2"
 L 122cm x W 20cm x H 5cm
 96 - L 96" x W 8" x H 2"
 L 244cm x W 20cm x H 5cm

Weight:
 26 - 8 lbs (3.6 kg)
 48 - 11 lbs (5 kg)
 96 - 21 lbs (10 kg)



Ordering Code	Size	Finish	Voltage
LYRA	48 -26" (66cm) -48" (122cm) -96" (244cm)	SA -SA - Satin Aluminum	Standard 120V (leave blank) -2 - 230V 50Hz -3 - 277V 60Hz

COMPANY:	FIXTURE TYPE:	DATE:
PROJECT:	CONSULTANT:	APPROVED BY:



LYRA 60 & 120



Description: Lyra series of 60" (152cm) and 120" (305cm) linear suspensions combine T5 fluorescent and MR16 halogen lamps for application in offices, hallways, retail, conference rooms, kitchens or contemporary dining. 26" (66cm), 48" (122cm) and 96" (244cm) versions also available. White diffuser for fluorescents, soft diffusing lenses and eggcrate louvers prevent glare from MR16s. Constructed of extruded aluminum alloy in satin aluminum, black or white finish. 58" (147cm) of field adjustable mounting cable. Clear electrical cable can be field wired for separate switching between fluorescent and halogen sources (may dim halogen). Two or four T5-3500K high output fluorescent lamps (included) provide diffused direct/indirect light. Three or six 50 watt GE ConstantColor® MR16 lamps (included) provide directional light. MR16 lamp holders are adjustable on the vertical and horizontal axes. Low voltage electronic transformers and electronic ballasts included. All available in 120V, 230V (50Hz) or 277V (60Hz).



Diffuser: White

Body Finish: Satin Aluminum, Black or White

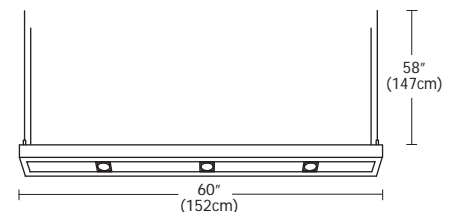
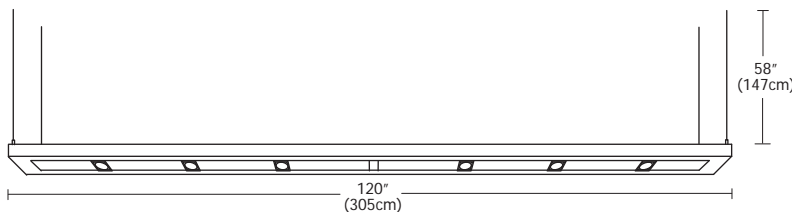
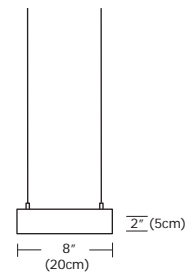
Lamp: 60 - 3xMR16/GU5.3/50W/12V + 2xT5HO/MINI-BIPIN/54W
120 - 6xMR16/GU5.3/50W/12V + 4xT5HO/MINI-BIPIN/54W

Total Wattage: 60 - 258W
120 - 516W

Dimmer: Halogen - low voltage electronic
Fluorescent - electronic ballast; not dimmable

Dimensions: 60 - L 60" x W 8" x H 2"
L 152cm x W 20cm x H 5cm
120 - L 120" x W 8" x H 2"
L 305cm x W 20cm x H 5cm

Weight: 60 - 13 lbs (6 kg)
120 - 24 lbs (11 kg)



Ordering Code	Size	Finish	Voltage
LYRA	60	SA	Standard 120V (leave blank)
	-60" (152cm) -120" (305cm)	-SA - Satin Aluminum -WH - White -BK - Black	-2 - 230V 50Hz -3 - 277V 60Hz

COMPANY:	FIXTURE TYPE:	DATE:
PROJECT:	CONSULTANT:	APPROVED BY:

FORM SUSPENSION



Description: Form suspension features interconnected geometric forms which can be positioned as desired. Satin nickel or polished nickel finish. 98.4" (250cm) of field adjustable mounting cable with a required minimum of 6" (15.24cm). One 75 watt 12 volt AR111 (45 degree beam spread) halogen lamp included. An electronic transformer is integrated into the canopy. Directional light distribution.

Body Finish: Polished Nickel or Satin Nickel

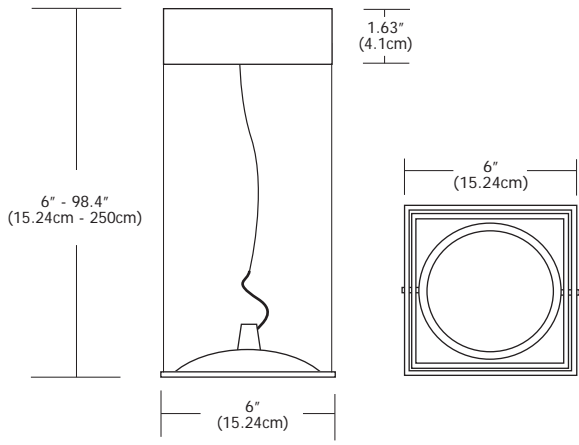
Lamp: **HALOGEN (H)**
H2 - AR111/M4/75W/45°/12V

Total Wattage: H2 - 75W

Dimmer: Low voltage electronic

Dimensions: L 6" x W 6" x H 98.4"
L 15.24cm x W 15.24cm x H 250cm

Weight: 3 lbs (1.36 kg)



Ordering Code	Type	Description	Lamp	Finish	Voltage
FORM	S	SQ	H2	SN	Standard 120V (leave blank)
	-S - Suspension	-SQ - Square	-H2 - AR111	-SN - Satin Nickel -PN - Polished Nickel	-2 - 230V 50Hz -3 - 277V 60Hz

COMPANY:	FIXTURE TYPE:	DATE:
PROJECT:	CONSULTANT:	APPROVED BY:



VEGA OVAL



Description: Vega Oval suspension features top and bottom white glass diffusers and a silver, black or white body finish. 80" (203cm) of field adjustable mounting cable. Also available in halogen (2 x 150W T10 double envelope lamps) or two different compact fluorescent (2 x 26W or 2 x 32W T4 lamps) versions in 120V, 230V (50Hz) or 277V (60Hz). Lamps and electronic ballast included. General light distribution.

Diffuser: White

Body Finish: Silver, Black or White

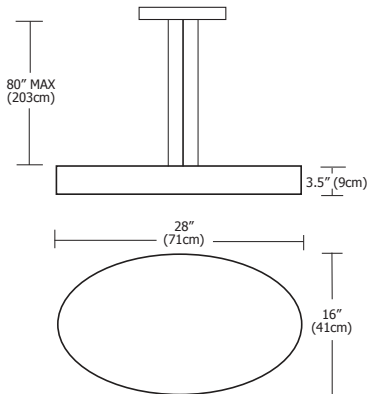
Lamp:
HALOGEN (H)
 H1 - 2xT10/MED/150W
FLUORESCENT (F)
 F1 - 2xT4/GX24Q-3/26W
 F2 - 2xT4/GX24Q-3/32W

Total Wattage: H1 - 300W
 F1 - 52W - 3500K
 F2 - 64W - 3500K

Dimmer: Halogen - incandescent
 Fluorescent - electronic ballast; not dimmable

Dimensions: L 28" x W 16" x H 3.5"
 L 71cm x W 41cm x H 9cm

Weight: 18 lbs (8 kg)



Ordering Code	Description	Lamp	Finish	Voltage
VEGA	OV -OV - Oval	H1 -H1 - Halogen -F1 - Fluorescent -F2 - Fluorescent	SI -SI - Silver -BK - Black -WH - White	Standard 120V (leave blank) -2 - 230V 50Hz -3 - 277V 60Hz (F1 and F2 only)

COMPANY:	FIXTURE TYPE:	DATE:
PROJECT:	CONSULTANT:	APPROVED BY:

VEGA ROUND



Description: Vega Round suspension features top and bottom white glass diffusers and a silver, black or white body finish. 80" (203cm) of field adjustable mounting cable. Also available in Oval version. Available in halogen (2 x 150W T10 double envelope lamps) or two different compact fluorescent (2 x 26W or 2 x 32W T4 lamps) versions in 120V, 230V (50Hz) or 277V (60Hz). Lamps and electronic ballast included. General light distribution.

Diffuser: White

Body Finish: Silver, Black or White

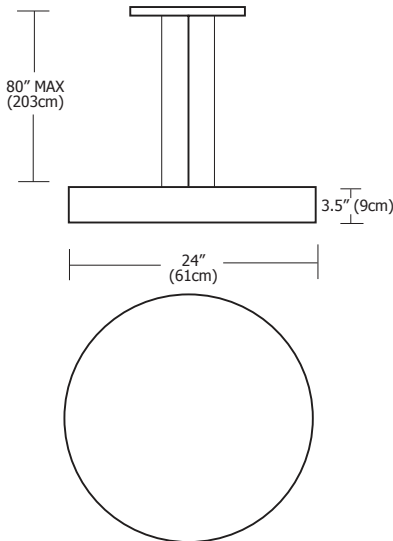
Lamp:
HALOGEN (H)
 H1 - 2xT10/MED/150W
FLUORESCENT (F)
 F1 - 2xT4/GX24Q-3/26W
 F2 - 2xT4/GX24Q-3/32W

Total Wattage: H1 - 300W
 F1 - 52W - 3500K
 F2 - 64W - 3500K

Dimmer: Halogen - incandescent
 Fluorescent - electronic ballast; not dimmable

Dimensions: L 24" x W 24" x H 3.5"
 L 61cm x W 61cm x H 9cm

Weight: 20 lbs (9 kg)



Ordering Code	Description	Lamp	Finish	Voltage
VEGA	RD <small>-RD - Round</small>	H1 <small>-H1 - Halogen -F1 - Fluorescent -F2 - Fluorescent</small>	SI <small>-SI - Silver -BK - Black -WH - White</small>	Standard 120V (leave blank) <small>-2 - 230V 50Hz -3 - 277V 60Hz (F1 and F2 only)</small>

COMPANY:	FIXTURE TYPE:	DATE:
PROJECT:	CONSULTANT:	APPROVED BY:

CUBE-O



Description: Cube-O wall/ceiling features an aluminum housing enclosing a glass tube with a white frosted diffuser and a satin aluminum finish. Can be used indoors, outdoors, and in showers. Includes 60 watt halogen G9 base JCD lamp and detachable square canopy, which is required for outdoor/shower installation. General light distribution. IP 65. ADA compliant.



Diffuser: White

Body Finish: Satin Aluminum

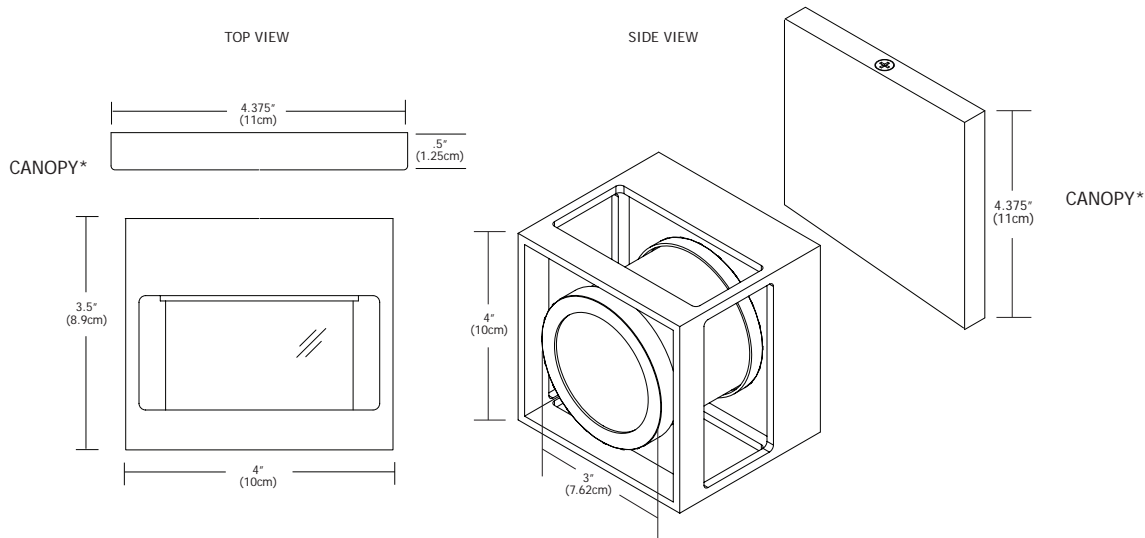
Lamp: **HALOGEN (H)**
H1 - JCD/G9/60W

Total Wattage: H1 - 60W

Dimmer: Incandescent

Dimensions: W 4" x H 4" x D 3.5"
W 10cm x H 10cm x D 8.9cm

Weight: 2 lbs (0.9 kg)



*Includes detachable canopy, which is required for outdoor/shower installation

Ordering Code	Lamp	Finish	Voltage
CUBE0	H1	SA	Standard 120V (leave blank)
	-H1 - Halogen	-SA - Satin Aluminum	-2 - 230V 50Hz

COMPANY:	FIXTURE TYPE:	DATE:
PROJECT:	CONSULTANT:	APPROVED BY:

GARBO CEILING



Description: Garbo Ceiling features opal white polycarbonate front and side diffusers and satin nickel or polished nickel finish. Can be wall mounted (ADA compliant). Also available in vanity linear wall versions. Two (F1) or four (F2) 9 watt 2xG7 base 2700K T4 compact fluorescent lamps and electronic ballast included. General light distribution.



Diffuser: Opal White Polycarbonate

Body Finish: Polished Nickel or Satin Nickel

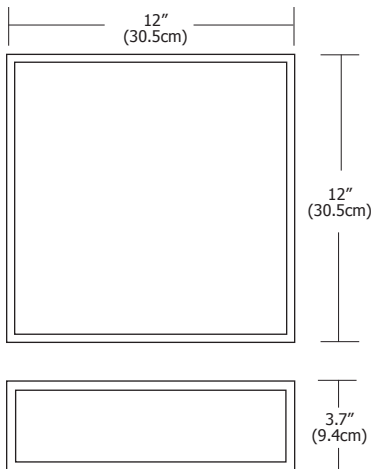
Lamp: **FLUORESCENT (F)**
 F1 - 2xT4/2xG7/9W
 F2 - 4xT4/2xG7/9W

Total Wattage: F1 - 18W - 2700K
 F2 - 36W - 2700K

Dimmer: Fluorescent (F1/F2) - electronic ballast; not dimmable

Dimensions: L 12" x W 12" x H 3.7"
 L 30.5cm x W 30.5cm x H 9.4cm

Weight: 3 lbs (1 kg)



Ordering Code	Type	Description	Size	Lamp	Finish	Voltage
GARBO	C	SQ	12	F1	SN	Standard 120V (leave blank)
	-C - Ceiling	-SQ - Square	-12" (30.5cm)	-F1 - Fluorescent -F2 - Fluorescent	-SN - Satin Nickel -PN - Polished Nickel	-2 - 230V 50Hz -3 - 277V 60Hz

COMPANY: _____ DATE: _____
 PROJECT: _____ CONSULTANT: _____ APPROVED BY: _____

ROCKY CEILING



Description: Rocky downlight, a water tight ceiling mounted accent and general lighting fixture, features high temperature silicone o-rings that create a weather tight seal. A removable and lockable shield with fasteners retains a glass lens and a louver accessory. Constructed of aluminum and brushed to a satin finish, Rocky includes a 50 watt MR16 halogen lamp. A low-voltage electronic transformer, which can be mounted in the junction box above, is also included. General downward light distribution. Can be used indoors and outdoors. IP65.



Body Finish: Satin Aluminum

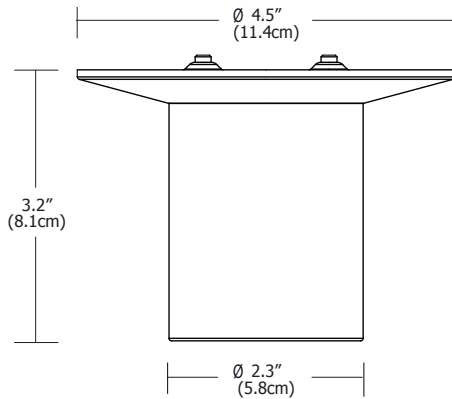
Lamp: **HALOGEN (H)**
H1 - MR16/GU10/50W/12V

Total Wattage: H1 - 50W

Dimmer: Low voltage electronic

Dimensions: Ø 4.5" x H 3.2"
Ø 11.4cm x H 8.1cm

Weight: 2 lbs (.9 kg)



Ordering Code	Type	Lamp	Finish	Voltage
ROC	C	H1	SA	Standard 120V (leave blank)
	-C - Ceiling	-H1 - Halogen	-SA - Satin Aluminum	-2 - 230V 50Hz -3 - 277V 60Hz

COMPANY:	FIXTURE TYPE:	DATE:
PROJECT:	CONSULTANT:	APPROVED BY:

SATIN CEILING



Description: Satin ceiling series features white frosted glass and a satin nickel finish. Available in 7" (18cm), 12" (30cm), 15" (38cm) and 18" (46cm) diameter versions. T3 double ended halogen or T5 Circline fluorescent lamps and electronic ballast included. 7" (18cm) diameter available in halogen only. 15" (38cm) and 18" (46cm) versions also available with fluorescent emergency lamps (F1E) in 120V. Halogen (H1) and fluorescent (F1) available in 120V, 230V (50Hz); fluorescent (F1) also available in 277V (60Hz). General light distribution.



Diffuser: White

Body Finish: Satin Nickel

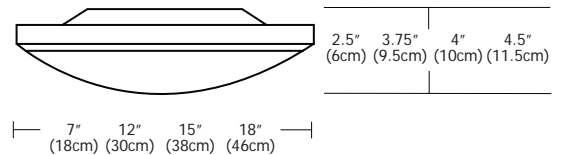
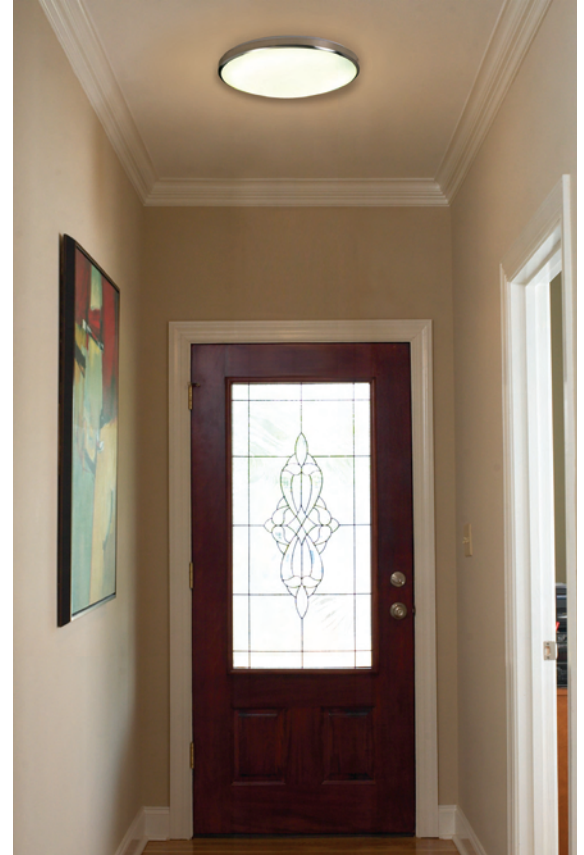
Lamp:
HALOGEN (H)
 7H1 - T3SHORT/RSC/75W
 12H1 - T3SHORT/RSC/200W
 15H1 - T3LONG/RSC/250W
 18H1 - T3LONG/RSC/300W
FLUORESCENT (F)
 12F1 - T5CIRCLINE/2GX13/22W
 15F1/F1E - T5CIRCLINE/2GX13/40W + 22W
 18F1/F1E - T5CIRCLINE/2GX13/40W + 22W

Total Wattage:
 7H1 - 75W
 12H1 - 200W
 15H1 - 250W
 18H1 - 300W
 12F1 - 22W - 3500K
 15F1/F1E - 62W - 3500K
 18F1/F1E - 62W - 3500K

Dimmer: Halogen - incandescent
 Fluorescent - electronic ballast; not dimmable

Dimensions:
 7 - L 7" x W 7" x H 2.5"
 L 18cm x W 18cm x H 6cm
 12 - L 12" x W 12" x H 3.75"
 L 30cm x W 30cm x H 9.5cm
 15 - L 15" x W 15" x H 4"
 L 38cm x W 38cm x H 10cm
 18 - L 18" x W 18" x H 4.5"
 L 46cm x W 46cm x H 11.5cm

Weight:
 7 - 5 lbs (2 kg)
 12 - 8 lbs (4 kg)
 15 - 10 lbs (4.5 kg)
 18 - 11 lbs (5 kg)



Ordering Code	Size	Lamp	Finish	Voltage
SATIN	7	H1	SN	Standard 120V (leave blank)
	-7" (18cm) -12" (30cm) -15" (38cm) -18" (46cm)	-H1 - Halogen -F1 - Fluorescent (7" not available in fluorescent) -F1E - Fluorescent Emergency (15", 18")	-SN - Satin Nickel	-2 - 230V 50Hz -3 - 277V 60Hz (F1 only)

COMPANY:	FIXTURE TYPE:	DATE:
PROJECT:	CONSULTANT:	APPROVED BY:

VANILLA SKY ROUND 14, 18 & 24



Description: Vanilla Sky Round ceiling series features molded white glass diffuser in 14" (36cm), 18" (46cm) or 24" (61cm) diameter sizes. Also available in Square versions. Halogen T3 double ended lamp, energy efficient Krypton/Xenon T4 lamp or two T4 compact fluorescent lamps and ballast included. General light distribution.

Diffuser: White

Lamp: **HALOGEN (H)**
14H1 - T3LONG/RSC/100W

KRYPTON/XENON (K)
18K1 - KX180T4CL/180W
24K1 - KX180T4CL/180W

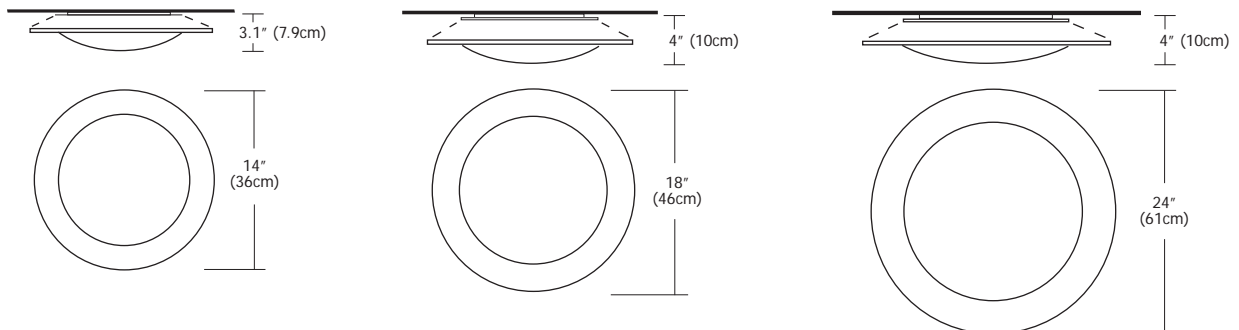
FLUORESCENT (F)
14F1 - 2xT4/2G7/9W
18F1 - 2xT4/G24D-3/26W
24F1 - 2xT4/G24D-3/26W

Total Wattage: 14H1 - 100W
18K1 - 180 = 250W
24K1 - 180 = 250W
14F1 - 18W - 2700K
18F1 - 52W - 3000K
24F1 - 52W - 3000K

Dimmer: Halogen - incandescent
Krypton/Xenon - incandescent
Fluorescent - electronic ballast; not dimmable

Dimensions: 14 - L 14" x W 14" x H 3.1"
L 36cm x W 36cm x H 7.9cm
18 - L 18" x W 18" x H 4"
L 46cm x W 46cm x H 10cm
24 - L 24" x W 24" x H 4"
L 61cm x W 61cm x H 10cm

Weight: 14 - 6 lbs (3 kg)
18 - 8 lbs (4 kg)
24 - 13 lbs (6 kg)



Ordering Code	Description	Size	Lamp	Voltage
VSKY	RD	14	H1	Standard 120V (leave blank)
	-RD - Round	-14" (36cm) -18" (46cm) -24" (61cm)	-H1 - Halogen -K1 - Krypton/Xenon -F1 - Fluorescent	-2 - 230V 50Hz -3 - 277V 60Hz (F1 only)

COMPANY:	FIXTURE TYPE:	DATE:
PROJECT:	CONSULTANT:	APPROVED BY:

VANILLA SKY SQUARE 14, 18 & 24



Description: Vanilla Sky Square ceiling series features molded white glass diffuser in 14" (36cm), 18" (46cm) or 24" (61cm) diameter sizes. Also available in Round versions. Halogen T3 double ended lamp, energy efficient Krypton/Xenon T4 lamp or two T4 compact fluorescent lamps and ballast included. General light distribution.



Diffuser: White

Lamp: **HALOGEN (H)**
14H1 - T3LONG/RSC/100W

KRYPTON/XENON (K)
18K1 - KX180T4CL/180W
24K1 - KX180T4CL/180W

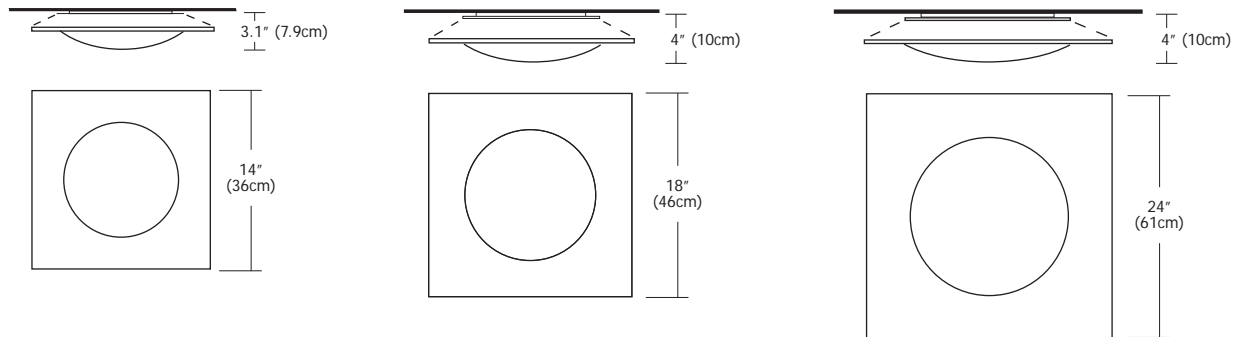
FLUORESCENT (F)
14F1 - 2xT4/2G7/9W
18F1 - 2xT4/G24D-3/26W
24F1 - 2xT4/G24D-3/26W

Total Wattage: 14H1 - 100W
18K1 - 180 = 250W
24K1 - 180 = 250W
14F1 - 18W - 2700K
18F1 - 52W - 3000K
24F1 - 52W - 3000K

Dimmer: Halogen - incandescent
Krypton/Xenon - incandescent
Fluorescent - electronic ballast; not dimmable

Dimensions: 14 - L 14" x W 14" x H 3.1"
L 36cm x W 36cm x H 7.9cm
18 - L 18" x W 18" x H 4"
L 46cm x W 46cm x H 10cm
24 - L 24" x W 24" x H 4"
L 61cm x W 61cm x H 10cm

Weight: 14 - 6 lbs (3 kg)
18 - 8 lbs (4 kg)
24 - 13 lbs (6 kg)



Ordering Code	Description	Size	Lamp	Voltage
VSKY	- SQ	- 14	- H1	Standard 120V (leave blank)
	-SQ - Square	-14" (36cm) -18" (46cm) -24" (61cm)	-H1 - Halogen -K1 - Krypton/Xenon -F1 - Fluorescent	-2 - 230V 50Hz -3 - 277V 60Hz (F1 only)

COMPANY:	FIXTURE TYPE:	DATE:
PROJECT:	CONSULTANT:	APPROVED BY:

4 x 4



Description: 4 x 4 wall sconce features inner white glass diffuser and satin aluminum finish. Can be used indoors, outdoors and in showers. 20 watt G4 base halogen JC bipin lamp included. Electronic transformer included, which fits in standard junction box. General light distribution. IP 65. ADA compliant.

Diffuser: White

Body Finish: Satin Aluminum

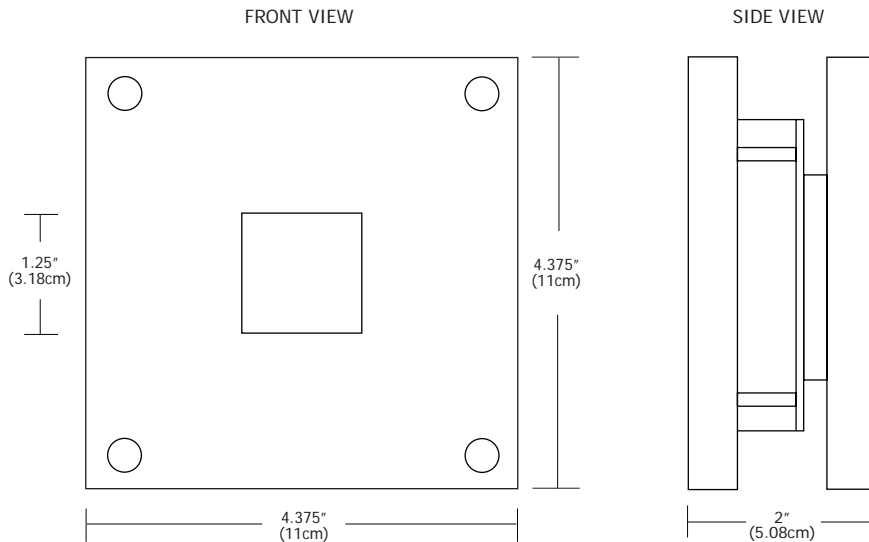
Lamp: **HALOGEN (H)**
H1 - JC/G4/20W

Total Wattage: H1 - 20W

Dimmer: Low voltage electronic

Dimensions: W 4.375" x H 4.375" x D 2"
W 11cm x H 11cm x D 5.08cm

Weight: 2 lbs (0.9 kg)



Ordering Code	Lamp	Finish	Voltage
4X4	H1	SA	Standard 120V (leave blank)
	<small>-H1 - Halogen</small>	<small>-SA - Satin Aluminum</small>	<small>-2 - 230V 50Hz -3 - 277V 60Hz</small>

COMPANY:	FIXTURE TYPE:	DATE:
PROJECT:	CONSULTANT:	APPROVED BY:



Description: Alpha wall and vanity series features white glass diffusers on both the top and the bottom of the rectangular metal shade, available in satin nickel or chrome finish. Available in 4" (10cm), 6.5" (16.5cm), 16" (40.5cm), 24" (61cm), 32" (81.25cm) and 48" (122cm) widths. All sizes available in line voltage halogen. Compact fluorescent lampping available in 6.5" (16.5cm), 16" (40.5cm), 24" (61cm) and 32" (81.25cm) widths. T5HO fluorescent lampping (F1) with optional dimmable ballast (F1D) available in 48" width. Lamp(s) and electronic ballasts included. General upward and downward light distribution. ADA compliant.

Diffuser: White

Body Finish: Satin Nickel or Chrome

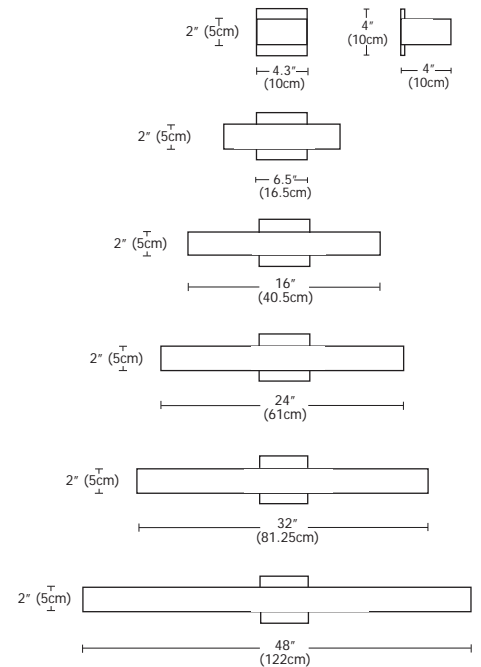
Lamp:	HALOGEN (H)	FLUORESCENT (F)
	4H1 - T4/G9/60W	7F1 - T4/G24Q-1/13W
	7H1 - T3SHORT/RSC/100W	16F1 - T5/2G11/24W
	16H1 - 2xT3SHORT/RSC/75W	24F1 - T5/2G11/40W
	24H1 - 3xT3SHORT/RSC/75W	32F1 - 2xT5/2G11/24W
	32H1 - 4xT3SHORT/RSC/75W	48F1/F1D - T5HO/MINI-BIPIN/54W
	48H1 - 5xT3SHORT/RSC/75W	

Total Wattage:	4H1 - 60W	7H1 - 100W	16H1 - 150W	24H1 - 225W	32H1 - 300W	48H1 - 375W	7F1 - 13W - 3500K	16F1 - 24W - 3500K	24F1 - 40W - 3500K	32F1 - 48W - 3500K	48F1/F1D - 54W - 3500K
----------------	-----------	------------	-------------	-------------	-------------	-------------	-------------------	--------------------	--------------------	--------------------	------------------------

Dimmer: Halogen (H1) - incandescent
 Fluorescent (F1) - electronic ballast; not dimmable
 Fluorescent (F1D) - electronic ballast; dimmable* (48" only)
 *Lutron® dimmer required - Diva (DVF-103P) or Nova (NF-10) recommended

Dimensions:	4 - W 4.3" x H 2" x D 4"
	W 10cm x H 5cm x D 10cm
	7 - W 6.5" x H 2" x D 4"
	W 16.5cm x H 5cm x D 10cm
	16 - W 16" x H 2" x D 4"
	W 40.5cm x H 5cm x D 10cm
	24 - W 24" x H 2" x D 4"
	W 61cm x H 5cm x D 10cm
	32 - W 32" x H 2" x D 4"
	W 81.25cm x H 5cm x D 10cm
	48 - W 48" x H 2" x D 4"
	W 122cm x H 5cm x D 10cm

Weight:	4 - 1.5 lbs (0.7 kg)
	7 - 2 lbs (0.9 kg)
	16 - 4 lbs (1.8 kg)
	24 - 5.5 lbs (2.5 kg)
	32 - 10 lbs (4.5 kg)
	48 - 14 lbs (6.4 kg)



Ordering Code	Size	Lamp	Finish	Voltage
ALPHA	4	H1	SN	Standard 120V (leave blank)
	-4" (10cm) -7" (17.8cm) -16" (40.5cm) -24" (61cm) -32" (81.25cm) -48" (122cm)	-H1 - Halogen -F1 - Fluorescent (7", 16", 24", 32" and 48") -F1D - Fluorescent Dimmable (48" only)	-SN - Satin Nickel -CH - Chrome	-2 - 230V 50Hz -3 - 277V 60Hz (F1 only)

COMPANY:	FIXTURE TYPE:	DATE:
PROJECT:	CONSULTANT:	APPROVED BY:



Description: Alpine wall sconce features a solid satin aluminum finish and includes two 35 watt MR16 line voltage halogen lamps. Directional upward and downward light distribution. Can be used indoors and outdoors. IP65.

Body Finish: Satin Aluminum

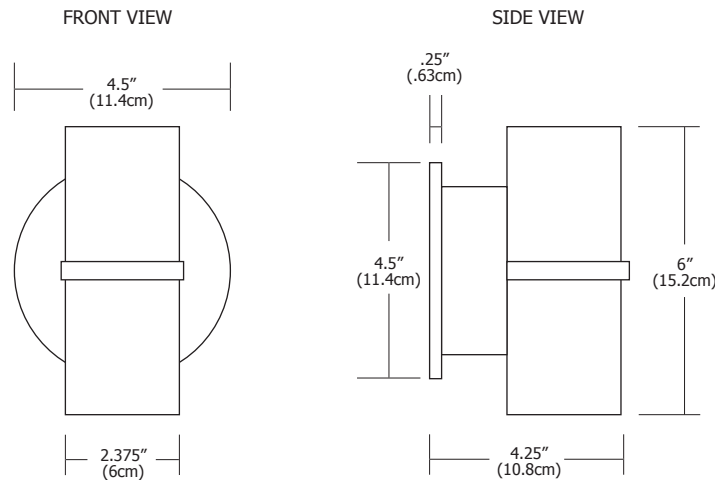
Lamp: **HALOGEN (H)**
H1 - 2xMR16/GU10/35W

Total Wattage: H1 - 70W

Dimmer: Incandescent

Dimensions: W 4.5" x H 6" x D 4.25"
W 11.4cm x H 15.2cm x D 10.8cm

Weight: 2.5 lbs (1.13 kg)



Ordering Code	Type	Description	Lamp	Finish	Voltage
ALP	W	RD	H1	SA	Standard 120V (leave blank)
	-W - Wall	-RD - Round	-H1 - Halogen	-SA - Satin Aluminum	-2 - 230V 50Hz

COMPANY:	FIXTURE TYPE:	DATE:
PROJECT:	CONSULTANT:	APPROVED BY:

BEAM



Description: Beam wall sconce features a satin aluminum finish and can accommodate up to a 50 watt 12 volt MR16 halogen lamp (not included). 60 watt electronic transformer included. General downward light distribution.

Body Finish: Satin Aluminum

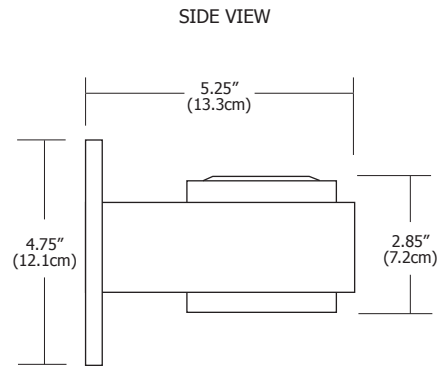
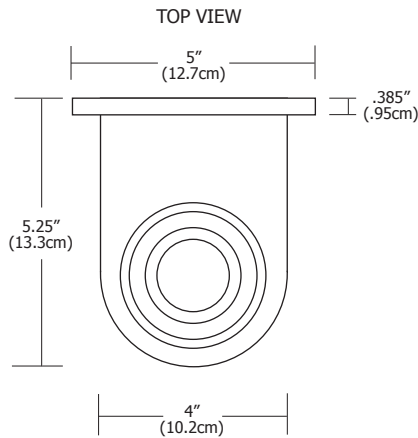
Lamp: **HALOGEN (H)**
H1 - MR16/GU5.3/50W/12V

Total Wattage: H1 - 50W

Dimmer: Low voltage electronic

Dimensions: W 5" x H 4.75" x D 5.25"
W 12.7cm x H 12.1cm x D 13.3cm

Weight: 3.25 lbs (1.47 kg)



Ordering Code	Type	Lamp	Finish	Voltage
BEAM	W	H1	SA	Standard 120V (leave blank)
	-W - Wall	-H1 - Halogen	-SA - Satin Aluminum	-2 - 230V 50Hz -3 - 277V 60Hz

COMPANY:	FIXTURE TYPE:	DATE:
PROJECT:	CONSULTANT:	APPROVED BY:

BURST



Description: Burst wall/ceiling features a satin aluminum finish and central frosted glass diffuser that produces uniform beams of sunshine-like light. Includes 20 watt G4 bi-pin base frosted halogen lamp and 60 watt electronic transformer that mounts inside j-box. General light distribution. ADA compliant.

Diffuser: Frosted Glass

Body Finish: Satin Aluminum

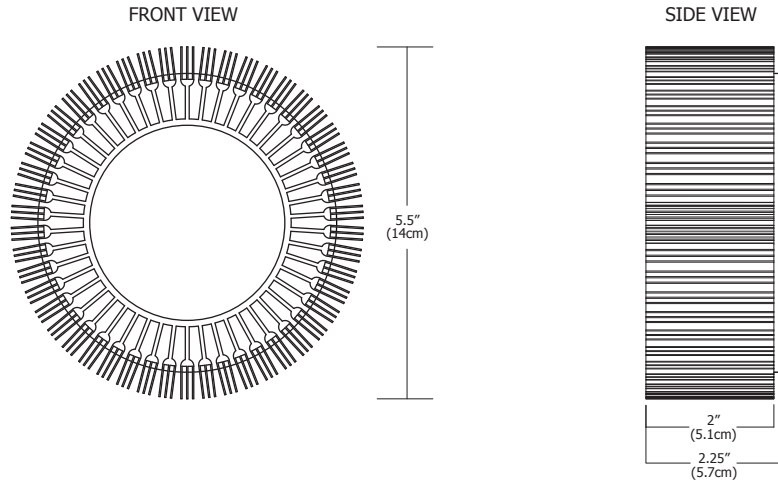
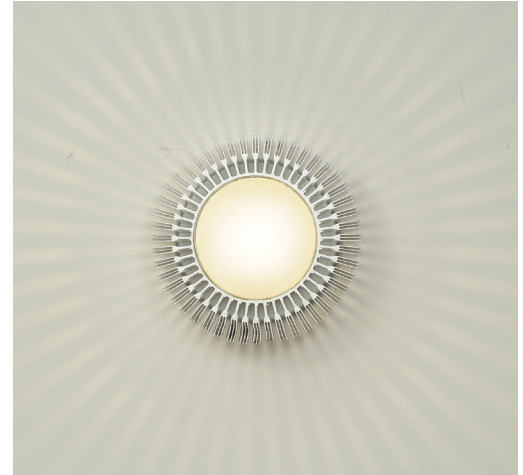
Lamp: **HALOGEN (H)**
H1 - G4/20W/12V

Total Wattage: H1 - 20W

Dimmer: Low voltage electronic

Dimensions: W 5.5" x H 5.5" x D 2.25"
W 14cm x H 14cm x D 5.7cm

Weight: 2 lbs (.91 kg)



Ordering Code	Type	Lamp	Finish	Voltage
BURST	WC	H1	SA	Standard 120V (leave blank)
	-WC - Wall /Ceiling	-H1 - Halogen	-SA - Satin Aluminum	-2 - 230V 50Hz

COMPANY:	FIXTURE TYPE:	DATE:
PROJECT:	CONSULTANT:	APPROVED BY:

CUBE CRYSTAL



Description: Cube Crystal wall sconce features a crystal diffuser and is constructed of solid satin aluminum alloy. One 40 watt G9 base halogen lamp included. General light distribution.

Diffuser: Crystal

Body Finish: Satin Aluminum

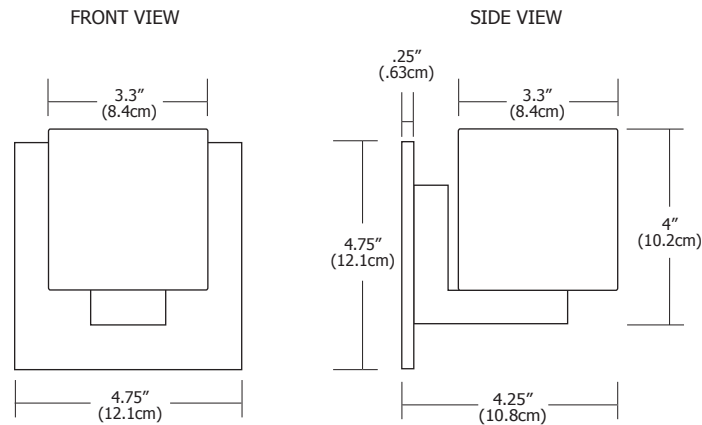
Lamp: **HALOGEN (H)**
H1 - JCD/G9/40W/120V

Total Wattage: H1 - 40W

Dimmer: Incandescent

Dimensions: W 4.75" x H 4.75" x D 4.25"
W 12.1cm x H 12.1cm x D 10.8cm

Weight: 4 lbs (1.80 kg)



Ordering Code	Type	Lamp	Finish	Voltage
CUBECRY	W	H1	SA	Standard 120V (leave blank)
	-W - Wall	-H1 - Halogen	-SA - Satin Aluminum	-2 - 230V 50Hz

COMPANY:	FIXTURE TYPE:	DATE:
PROJECT:	CONSULTANT:	APPROVED BY:

GARBO WALL



Description: Garbo wall and vanity series features opal white polycarbonate front/side diffusers and satin nickel or polished nickel finish. Mount vertically or horizontally. Available in 12" (30.5cm), 24" (61cm), 37.3" (94.7cm) and 49.3" (125.2cm) sizes. Also available in square ceiling version, which can be wall mounted. 3000K T8 fluorescent lamp and electronic ballast included. Fluorescent (F1D) is dimmable with a standard incandescent dimmer. General light distribution. ADA compliant.



Diffuser: Opal White Polycarbonate

Body Finish: Polished Nickel or Satin Nickel

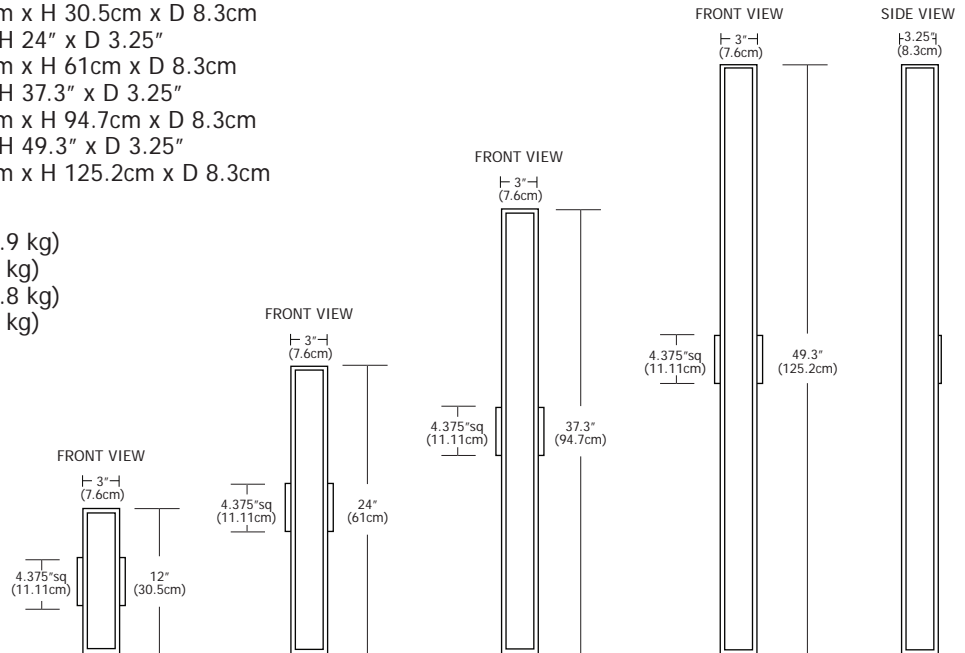
Lamp: **FLUORESCENT (F)**
 12F1 - GX24Q-2/4-PIN/18W
 24F1/F1D - T8/FO17W
 36F1/F1D - T8/FO25W
 48F1/F1D - T8/FO32W

Total Wattage: 12F1 - 18W - 3000K
 24F1/F1D - 17W - 3000K
 36F1/F1D - 25W - 3000K
 48F1/F1D - 32W - 3000K

Dimmer: Fluorescent (F1) - electronic ballast; not dimmable
 Fluorescent (F1D) - electronic ballast; dimmable with standard incandescent dimmer

Dimensions: 12 - W 3" x H 12" x D 3.25"
 W 7.6cm x H 30.5cm x D 8.3cm
 24 - W 3" x H 24" x D 3.25"
 W 7.6cm x H 61cm x D 8.3cm
 36 - W 3" x H 37.3" x D 3.25"
 W 7.6cm x H 94.7cm x D 8.3cm
 48 - W 3" x H 49.3" x D 3.25"
 W 7.6cm x H 125.2cm x D 8.3cm

Weight: 12 - 2 lbs (0.9 kg)
 24 - 3 lbs (1 kg)
 36 - 4 lbs (1.8 kg)
 48 - 5 lbs (2 kg)



Ordering Code	Type	Size	Lamp	Finish	Voltage
GARBO	W -W - Wall	12 -12" (30.5cm) -24" (61cm) -36" (91.5cm) -48" (122cm)	F1 -F1 - Fluorescent -F1D - Fluorescent Dimmable (24", 36" and 48")	SN -SN - Satin Nickel -PN - Polished Nickel	Standard 120V (leave blank) -2 - 230V 50Hz -3 - 277V 60Hz

COMPANY:	FIXTURE TYPE:	DATE:
PROJECT:	CONSULTANT:	APPROVED BY:



Description: Greta wall and vanity series features white glass diffusers and satin nickel or polished nickel finish. Mount vertically or horizontally. Halogen, H1, is available in 14" (35.6cm), 24.75" (62.9cm) and 37.3" (94.7cm) sizes and includes three, five or eight 40 watt E11 base line voltage halogen lamps. General light distribution. ADA compliant.

Diffuser: White

Body Finish: Polished Nickel or Satin Nickel

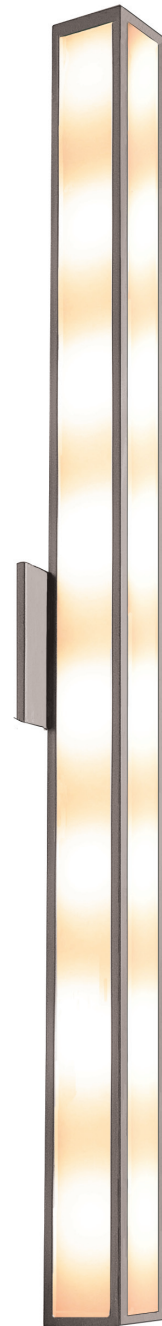
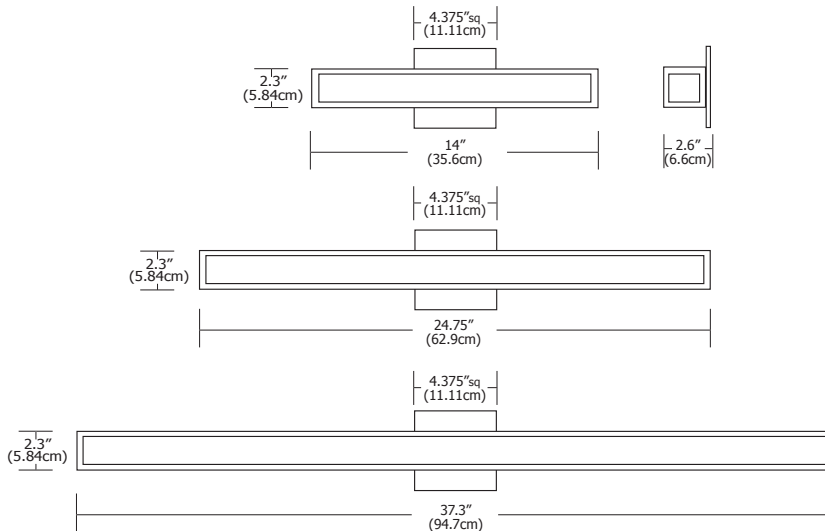
Lamp: **HALOGEN (H)**
 14H1 - 3xKX40FR/E11/40W
 24H1 - 5xKX40FR/E11/40W
 36H1 - 8xKX40FR/E11/40W

Total Wattage: 14H1 - 120W
 24H1 - 200W
 36H1 - 320W

Dimmer: Halogen (H1) - incandescent

Dimensions: 14 - W 14" x H 2.3" x D 2.6"
 W 35.6cm x H 5.84cm x D 6.6cm
 24 - W 24.75" x H 2.3" x D 2.6"
 W 62.9cm x H 5.84cm x D 6.6cm
 36 - W 37.3" x H 2.3" x D 2.6"
 W 94.7cm x H 5.84cm x D 6.6cm

Weight: 14 - 3.6 lbs (1.64 kg)
 24 - 5.7 lbs (2.59 kg)
 36 - 7.8 lbs (3.54 kg)



Ordering Code	Type	Size	Lamp	Finish	Voltage
GRETA	W	14	H1	SN	Standard 120V (leave blank)
	-W - Wall	-14" (35.6cm) -24" (61cm) -36" (91.5cm)	-H1 - Halogen	-SN - Satin Nickel -PN - Polished Nickel	-2 - 230V 50Hz

COMPANY:	FIXTURE TYPE:	DATE:
PROJECT:	CONSULTANT:	APPROVED BY:

MICRO



Description: Micro wall reading lamp features a satin nickel shade and body finish. 20" (51cm) heavy-duty gooseneck arm allows full adjustability. Dimmer/on-off switch located on canopy. 40 watt G9 base halogen JCD lamp included. General directional light distribution.

Body Finish: Satin Nickel

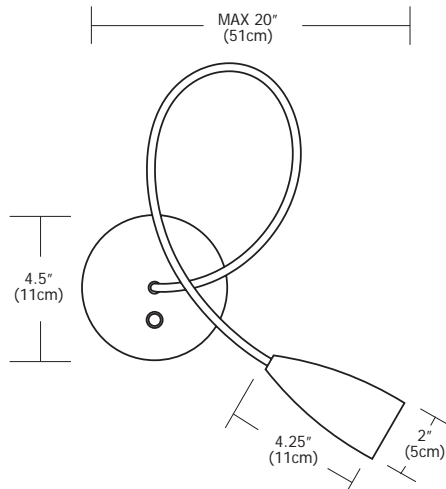
Lamp: **HALOGEN (H)**
H1 - JCD/G9/40W

Total Wattage: H1 - 40W

Dimmer: Included

Dimensions: L 20" x W 2" x H 4.25"
L 51cm x W 5cm x H 11cm

Weight: 2 lbs (0.9 kg)



Ordering Code	Lamp	Finish	Voltage
MICRO	H1	SN	Standard 120V (leave blank)
	-H1 - Halogen	-SN - Satin Nickel	-2 - 230V 50Hz

COMPANY:	FIXTURE TYPE:	DATE:
PROJECT:	CONSULTANT:	APPROVED BY:

MR. SQUARE



Description: Mr. Square wall sconce features a white glass front diffuser and a blue back glass diffuser which casts a colorful glow on the wall. Also available with white back diffuser. Satin aluminum finish. Can be used indoors and outdoors. One 40 watt G9 base, line voltage halogen JCD lamp included. General light distribution. IP 65 rated. ADA compliant.

Diffuser: White/Blue, White/White

Body Finish: Satin Aluminum

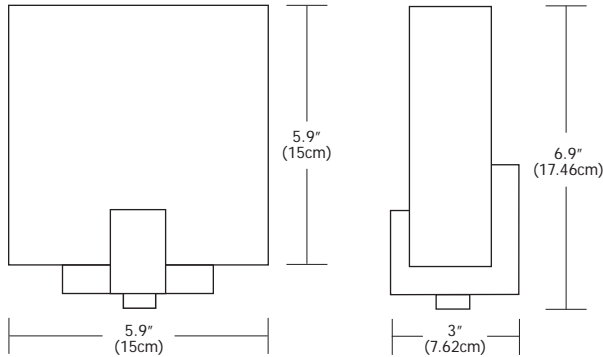
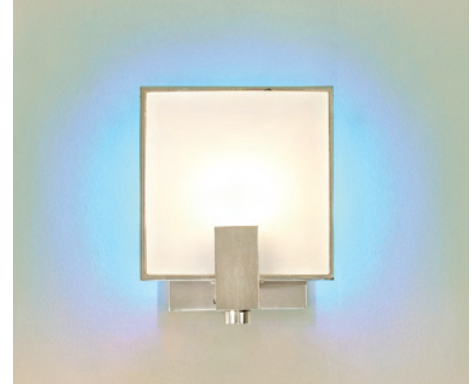
Lamp: **HALOGEN (H)**
H1 - JCD/G9/40W

Total Wattage: H1 - 40W

Dimmer: Incandescent

Dimensions: L 5.9" x W 5.9" x D 3"
L 15cm x W 15cm x D 7.62cm

Weight: 2 lbs (0.91kg)



Ordering Code	Description	Lamp	Finish	Voltage
MRSQ	WW <small>-WW - White/White -WB - White/Blue</small>	H1 <small>-H1 - Halogen</small>	SA <small>-SA - Satin Aluminum</small>	Standard 120V (leave blank) <small>-2 - 230V 50Hz</small>

COMPANY:	FIXTURE TYPE:	DATE:
PROJECT:	CONSULTANT:	APPROVED BY:

NIGHT OWL



Description: The Night Owl is designed for those who enjoy reading late at night but do not want to disturb others. The 19" (48.3cm) gooseneck arm allows the lamp to be easily positioned in any direction. Available in Pinup version, which plugs in with a 9.83 foot (300cm) cord. Also available in Canopy version with a power supply that fits in the junction box. Both versions power supplies are rated for 100-240VAC 50/60Hz. High-low switch included on base. One watt warm white low voltage LED lamp included (50,000 hour lamp life). Lifetime warranty.

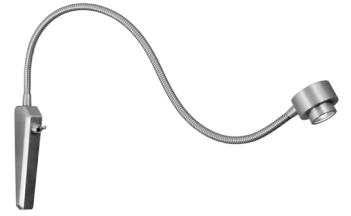
Body Finish: Satin Nickel or Bronze

Lamp: **LED**
LED - Warm White LED

Total Wattage: LED - 1W

Dimmer: Not dimmable

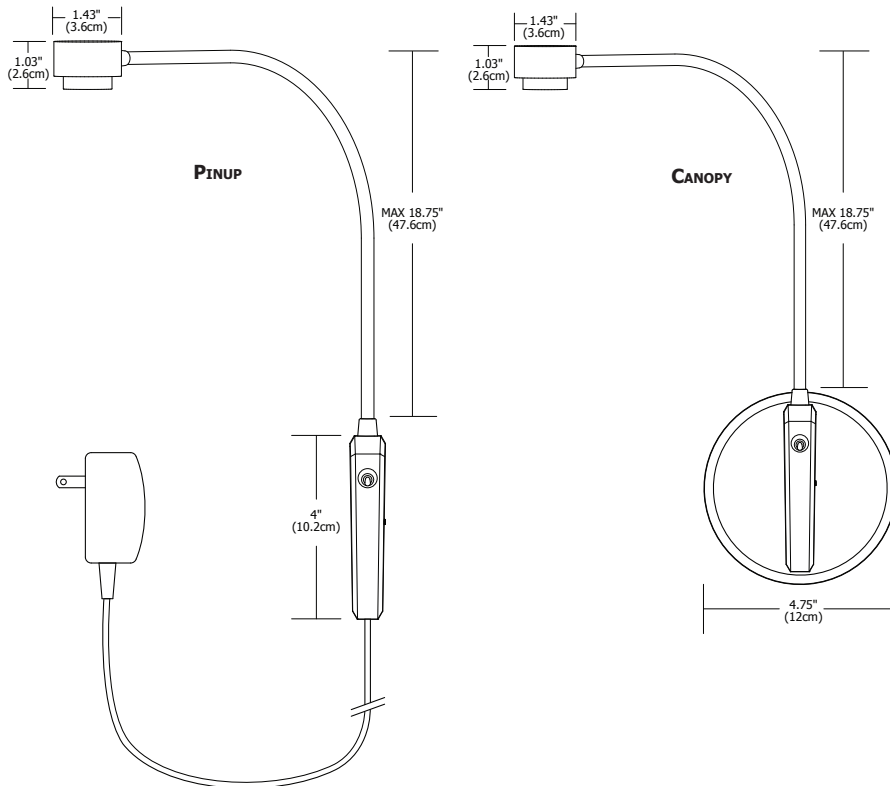
Dimensions: L 18.75" x W 1.43 x H 1.03"
L 47.6cm x W 3.6cm x H 2.6cm



Pinup



Canopy



Ordering Code Type Finish
NIGHTOWL - **P** - **SN**
 -P - Pinup -SN - Satin Nickel
 -C - Canopy -BZ - Bronze

COMPANY: _____ FIXTURE TYPE: _____ DATE: _____
 PROJECT: _____ CONSULTANT: _____ APPROVED BY: _____



Description: Regal wall features white glass diffusers on both the top and the bottom of the curved metal shade, available in satin nickel or chrome finish. Two 75 watt T3 double ended halogen lamps or one 24 watt 2G11 base 3500K compact fluorescent lamp and electronic ballast included. General upward and downward light distribution. ADA compliant.

Diffuser: White

Body Finish: Satin Nickel or Chrome

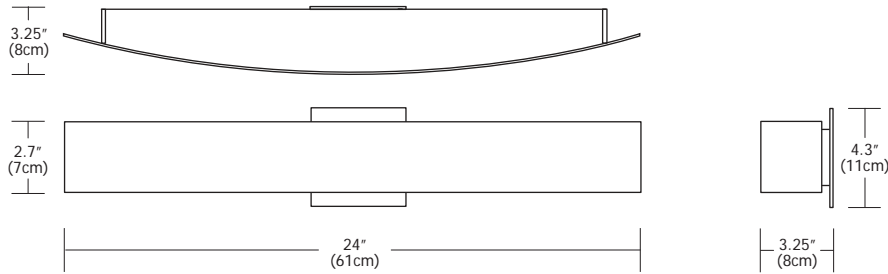
Lamp: **HALOGEN (H)**
H1 - 2xT3SHORT/RSC/75W
FLUORESCENT (F)
F1 - T5/2G11/24W

Total Wattage: H1 - 150W
F1 - 24W - 3500K

Dimmer: Halogen - incandescent
Fluorescent - electronic ballast; not dimmable

Dimensions: W 24" x H 2.7" x D 3.25" with 4.3" (11cm) square canopy
W 61cm x H 7cm x D 8cm

Weight: 4 lbs (1.8 kg)



Ordering Code	Lamp	Finish	Voltage
REGAL	H1	SN	Standard 120V (leave blank)
	-H1 - Halogen -F1 - Fluorescent	-SN - Satin Nickel -CH - Chrome	-2 - 230V 50Hz -3 - 277V 60Hz (F1 only)

COMPANY:	FIXTURE TYPE:	DATE:
PROJECT:	CONSULTANT:	APPROVED BY:

ROUND CRYSTAL



Description: Round Crystal wall sconce features a crystal diffuser and is constructed of solid satin aluminum alloy. 50 watt 12 volt Ministar® halogen lamp and 60 watt electronic transformer included. The Ministar® integrated reflector improves efficiency by focusing the light upward. General light distribution.



Diffuser: Crystal

Body Finish: Satin Aluminum

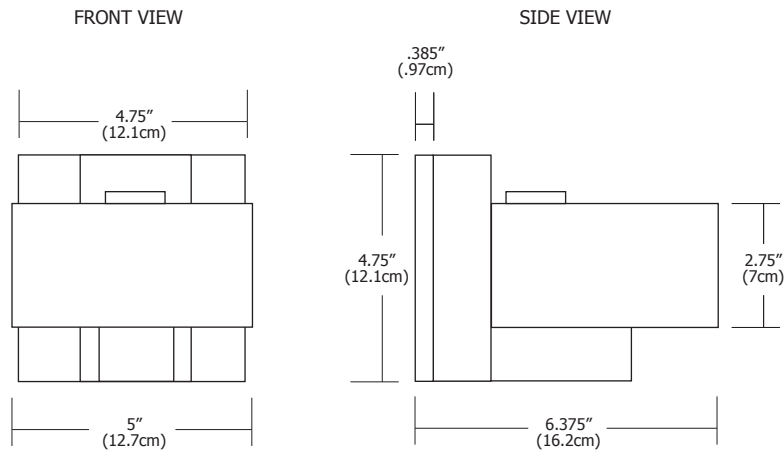
Lamp: **HALOGEN (H)**
H1 - JC-MS/GY6.35/50W/12V

Total Wattage: H1 - 50W

Dimmer: Low voltage electronic

Dimensions: W 5" x H 4.75" x D 6.375"
W 12.7cm x H 12.1cm x D 16.2cm

Weight: 6.75 lbs (3.06 kg)



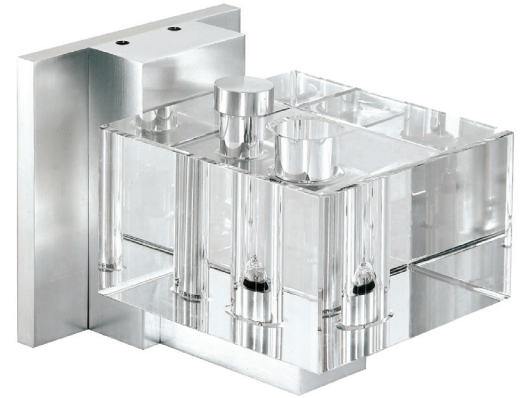
Ordering Code	Type	Lamp	Finish	Voltage
RDCRY	W	H1	SA	Standard 120V (leave blank)
	-W - Wall	-H1 - Halogen	-SA - Satin Aluminum	-2 - 230V 50Hz -3 - 277V 60Hz

COMPANY:	FIXTURE TYPE:	DATE:
PROJECT:	CONSULTANT:	APPROVED BY:

SQUARE CRYSTAL



Description: Square Crystal wall sconce features a crystal diffuser and is constructed of solid satin aluminum alloy. 50 watt 12 volt Ministar® halogen lamp and 60 watt electronic transformer included. The Ministar® integrated reflector improves efficiency by focusing the light upward. General light distribution.



Diffuser: Crystal

Body Finish: Satin Aluminum

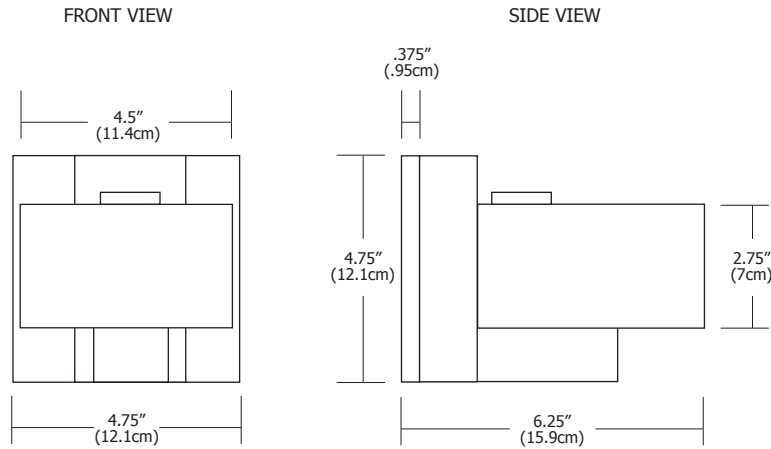
Lamp: **HALOGEN (H)**
H1 - JC-MS/GY6.35/50W/12V

Total Wattage: H1 - 50W

Dimmer: Low voltage electronic

Dimensions: W 4.75" x H 4.75" x D 6.25"
W 12.1cm x H 12.1cm x D 15.9cm

Weight: 4 lbs (1.80 kg)



Ordering Code	Type	Lamp	Finish	Voltage
SQCRY	W	H1	SA	Standard 120V (leave blank)
	-W - Wall	-H1 - Halogen	-SA - Satin Aluminum	-2 - 230V 50Hz -3 - 277V 60Hz

COMPANY:	FIXTURE TYPE:	DATE:
PROJECT:	CONSULTANT:	APPROVED BY:

STREAM



Description: Stream wall sconce features a unique geometric design with solid satin aluminum finish and glass lens. Includes 20 watt 12 volt Ministar® halogen lamp and 60 watt electronic transformer. The Ministar® integrated reflector improves efficiency by focusing the light upward. General light distribution. ADA compliant.

Body Finish: Satin Aluminum

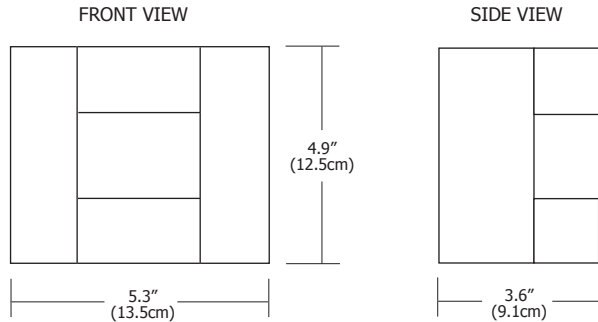
Lamp: **HALOGEN (H)**
H1 - JC-MS/G4/20W/12V

Total Wattage: H1 - 20W

Dimmer: Low voltage electronic

Dimensions: W 5.3" x H 4.9" x D 3.6"
W 13.5cm x H 12.5cm x D 9.1cm

Weight: 3 lbs (1.36 kg)



Ordering Code Type Lamp Finish Voltage

STREAM - **W** - **H1** - **SA** - Standard 120V (leave blank)

-W - Wall -H1 - Halogen -SA - Satin Aluminum -2 - 230V 50Hz
-3 - 277V 60Hz

COMPANY: _____ FIXTURE TYPE: _____ DATE: _____

PROJECT: _____ CONSULTANT: _____ APPROVED BY: _____

TAOS ROUND



Description: Taos Round wall sconce features a solid satin aluminum finish and includes two 3 watt warm white LED lamps and low voltage power supply which fits in the junction box. Power supply is rated for 100-240VAC 50/60Hz. Upward and downward light distribution. Can be used indoors and outdoors. IP65. ADA compliant.

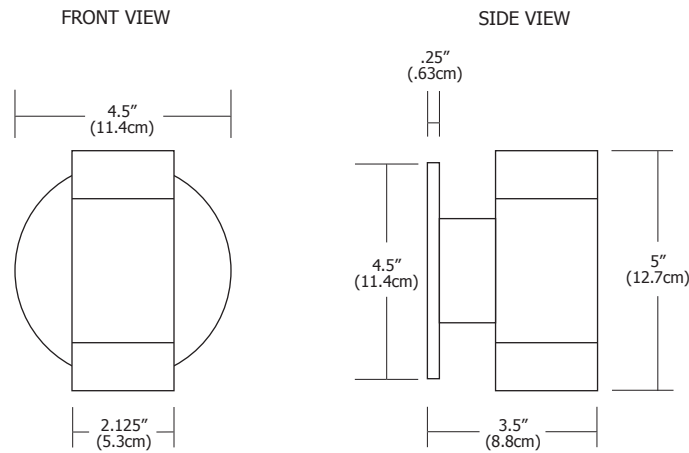
Body Finish: Satin Aluminum

Lamp: **LED**
LED - 2xLED/3W

Total Wattage: LED - 6W

Dimensions: W 4.5" x H 5" x D 3.5"
W 11.4cm x H 12.7cm x D 8.8cm

Weight: 2.5 lbs (1.13 kg)



Ordering Code	Type	Description	Lamp	Finish
TAOS	W	RD	LED	SA
	-W - Wall	-RD - Round		-SA - Satin Aluminum

COMPANY:	FIXTURE TYPE:	DATE:
PROJECT:	CONSULTANT:	APPROVED BY:

TAOS SQUARE



Description: Taos Square wall sconce features a solid satin aluminum finish and includes two 3 watt warm white LED lamps and low voltage power supply which fits in the junction box. Power supply is rated for 100-240VAC 50/60Hz. Upward and downward light distribution. Can be used indoors and outdoors. IP65. ADA compliant.

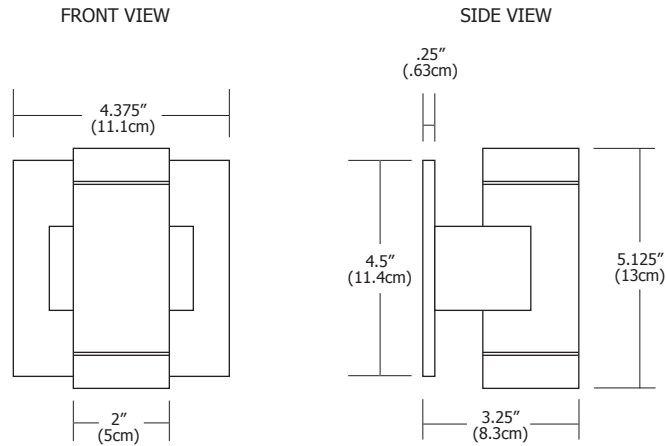
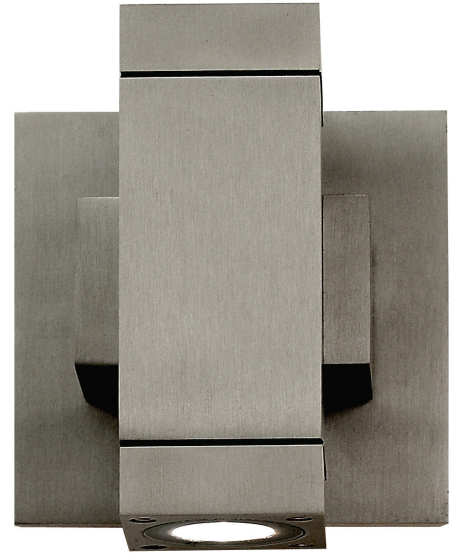
Body Finish: Satin Aluminum

Lamp: **LED**
LED - 2xLED/3W

Total Wattage: LED - 6W

Dimensions: W 4.375" x H 5.125" x D 3.25"
W 11.1cm x H 13cm x D 8.3cm

Weight: 2.5 lbs (1.13 kg)



Ordering Code	Type	Description	Lamp	Finish
TAOS	W -W - Wall	SQ -SQ - Square	LED	SA -SA - Satin Aluminum

COMPANY:	FIXTURE TYPE:	DATE:
PROJECT:	CONSULTANT:	APPROVED BY:

VIEW



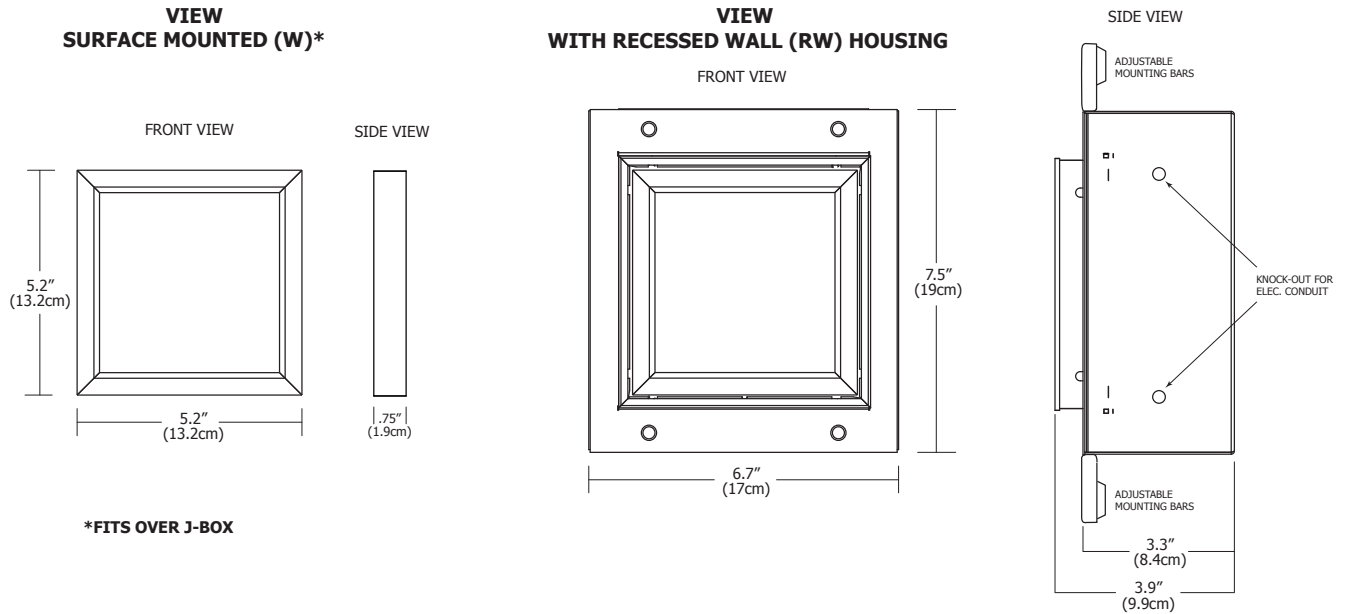
Description: View provides hotel guests with an illuminated glimpse of the suite's window view or any other desired image. The surface mounted or recessed wall fixture features a white acrylic diffuser and satin aluminum finish. The interchangeable image transparency is customized based on request. Warm white LED lamps included. General light distribution. ADA compliant.

Diffuser: White Acrylic
Body Finish: Satin Aluminum
Lamp: **LED**
 LED - Warm White LED

Total Wattage: LED - 9W

Dimensions: W 5.2" x H 5.2" x D .75"
 W 13.2cm x H 13.2cm x D 1.9cm

Weight: 1 lb (0.4 kg)



Ordering Code	Size	Type	Lamp	Finish	Voltage
VIEW	5 -5" (12.7cm)	W -W - Wall -RW - Recessed Wall	LED	SA -SA - Satin Aluminum	Standard 120V (leave blank) -2 - 230V 50Hz -3 - 277V 60Hz

COMPANY:	FIXTURE TYPE:	DATE:
PROJECT:	CONSULTANT:	APPROVED BY:



Description: Sonny wall recessed fixture's 3.5" (9cm) diameter makes it perfect for installation on stairs or walls. Anodized aluminum body finish will never fade. Sonny KIT includes Sonny, new construction housing, plaster screen, electronic transformer and Ministar® 10 watt 12 volt halogen G4 bipin base JC halogen lamp. The Ministar® integrated reflector improves efficiency by focusing the light, as well as reducing operating temperature; light output is equal to a standard 20 watt bipin lamp. Sonny 4KIT contains 4 complete fixtures packaged together. General downward light distribution.



Body Finish: Anodized Aluminum

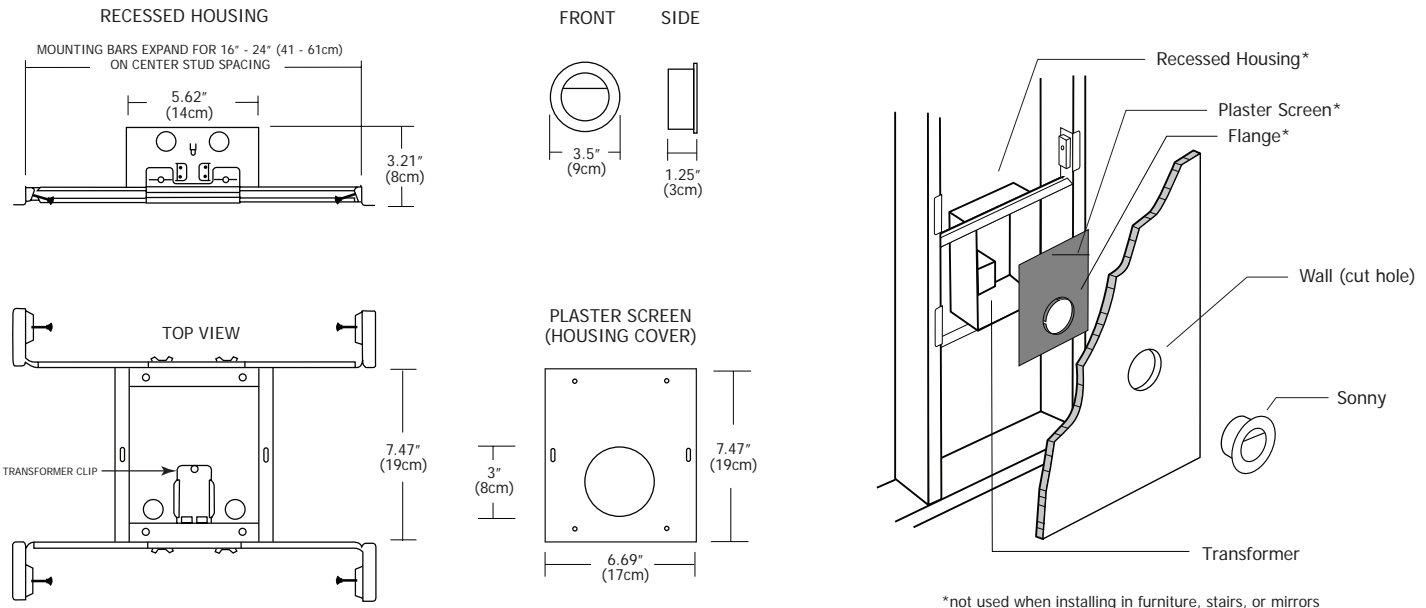
Lamp: **HALOGEN (H)**
H1 - JC-MS/G4/10W/12V

Total Wattage: H1 - 10W

Dimmer: Low voltage electronic

Dimensions: W 3.5" x H 3.5" x D 1.25"
W 9cm x H 9cm x D 3cm

Weight: 1 lb (0.5kg)



Ordering Code	Description	Lamp	Voltage
SONNY	KIT	H1	Standard 120V (leave blank)
	-KIT - Housing & Fixture -4KIT - 4 Fixture Pack	-H1 - Halogen	-2 - 230V 50Hz -3 - 277V 60Hz

COMPANY:	FIXTURE TYPE:	DATE:
PROJECT:	CONSULTANT:	APPROVED BY:

SQUARE



Description: Square wall recessed fixture's compact size makes it perfect for installation on stairs or walls. Body is durable stainless steel. Square KIT includes Square, new construction housing, plaster screen, electronic transformer and Ministar® 10 watt 12 volt halogen G4 bipin base JC halogen lamp. The Ministar® integrated reflector improves efficiency by focusing the light, as well as reducing operating temperature; light output is equal to a standard 20 watt bipin lamp. Square 4KIT contains 4 complete fixtures packaged together. General downward light distribution.



Body Finish: Stainless Steel

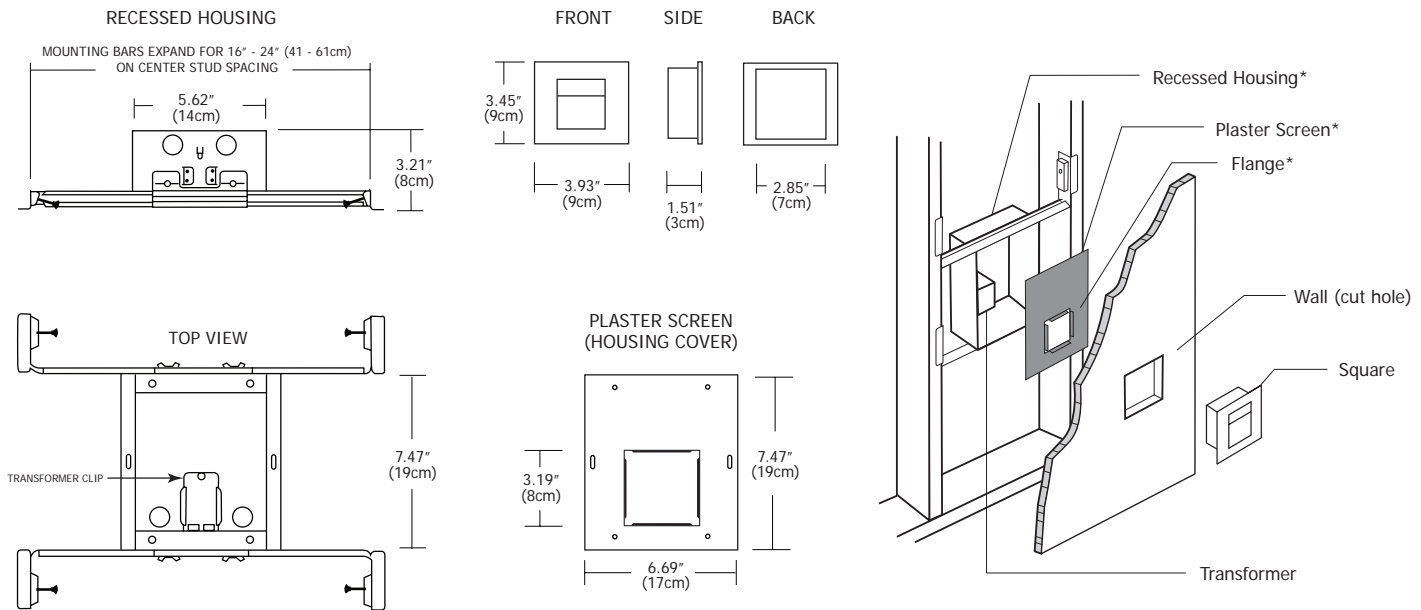
Lamp: **HALOGEN (H)**
H1 - JC-MS/G4/10W/12V

Total Wattage: H1 - 10W

Dimmer: Low voltage electronic

Dimensions: W 3.93" x H 3.45" x D 1.51"
W 10cm x H 9cm x D 4cm

Weight: 1 lb (0.5 kg)



*not used when installing in furniture, stairs, or mirrors

Ordering Code	Description	Lamp	Voltage
SQUARE	- KIT	- H1	Standard 120V (leave blank)
	-KIT - Housing & Fixture -4KIT - 4 Fixture Pack	-H1 - Halogen	-2 - 230V 50Hz -3 - 277V 60Hz

COMPANY:	FIXTURE TYPE:	DATE:
PROJECT:	CONSULTANT:	APPROVED BY:

STEP



Description: Step wall recessed fixture is perfect for stairs or walls. Scoop reflector and body in satin aluminum finish. Step KIT includes Step, new construction housing, plaster screen, electronic transformer and Ministar® 10 watt 12 volt G4 bipin base halogen JC lamp. The Ministar® integrated reflector improves efficiency by focusing the light, as well as reducing operating temperature; light output is equal to a standard 20 watt bipin lamp. Step 4KIT contains 4 complete fixtures packaged together. General downward light distribution.

Body Finish: Satin Aluminum

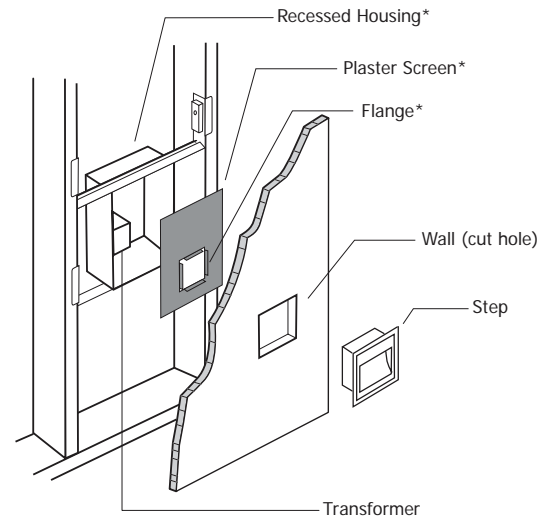
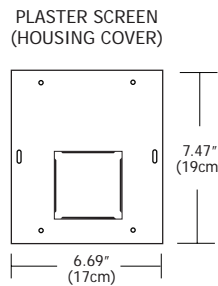
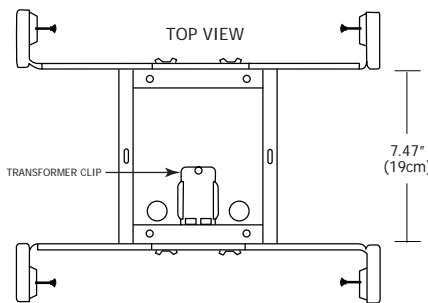
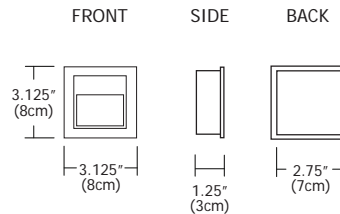
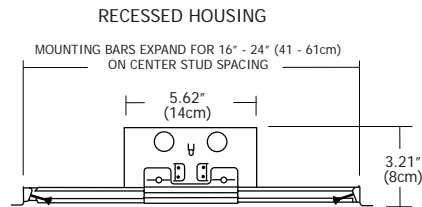
Lamp: **HALOGEN (H)**
H1 - JC-MS/G4/10W/12V

Total Wattage: H1 - 10W

Dimmer: Low voltage electronic

Dimensions: W 3.125" x H 3.125" x D 1.25"
W 8cm x H 8cm x D 3cm

Weight: 1 lb (0.5 kg)



*not used when installing in furniture, stairs, or mirrors

Ordering Code	Description	Lamp	Voltage
STEP	KIT	H1	Standard 120V (leave blank)
	-KIT - Housing & Fixture -4KIT - 4 Fixture Pack	-H1 - Halogen	-2 - 230V 50Hz -3 - 277V 60Hz

COMPANY:	FIXTURE TYPE:	DATE:
PROJECT:	CONSULTANT:	APPROVED BY:

FRAME



Description: Frame wall recessed fixture is perfect for furniture, wall and mirror installations. The fixture features a silver finish with a frost white diffuser. Frame KIT includes Frame, new construction housing, plaster screen, electronic transformer and 20 watt 12 volt G4 bipin base halogen JC lamp. Frame 4KIT contains 4 complete fixtures packaged together. General light distribution. ADA compliant.

Diffuser: Frost White

Body Finish: Silver

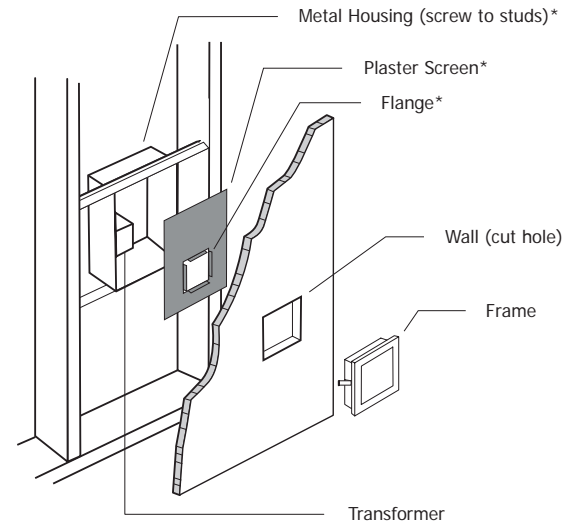
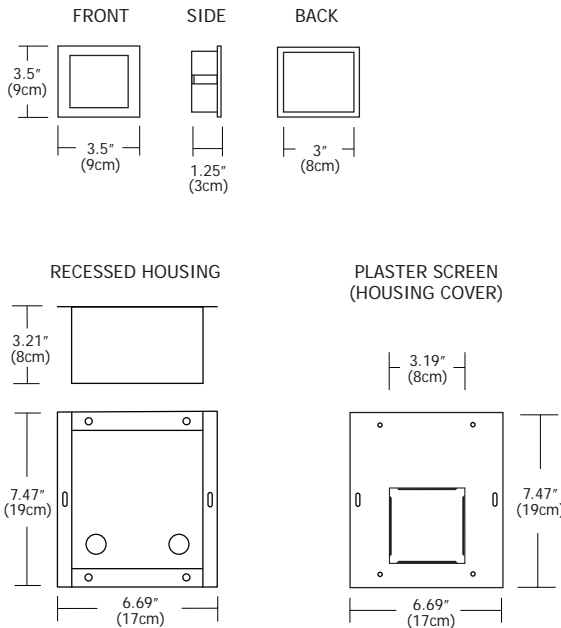
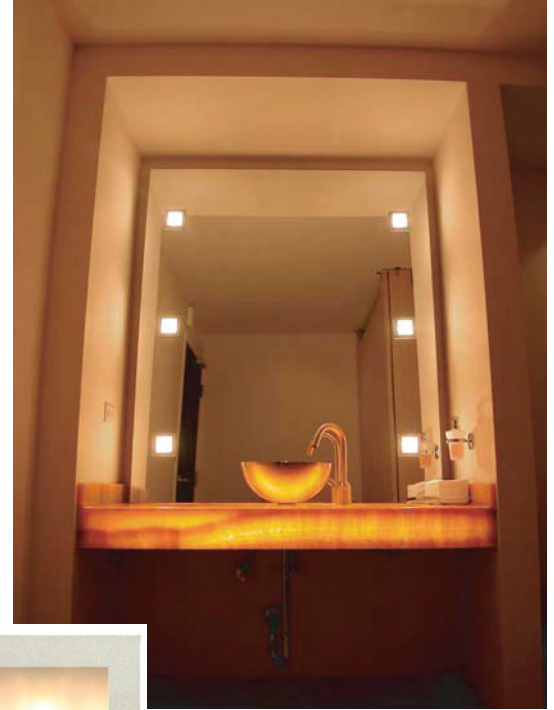
Lamp: **HALOGEN (H)**
H1 - JC/G4/20W/12V

Total Wattage: H1 - 20W

Dimmer: Low voltage electronic

Dimensions: W 3.5" x H 3.5" x D 1.25"
W 9cm x H 9cm x D 3cm

Weight: 1 lb (0.5 kg)



*not used when installing in furniture, stairs, or mirrors

Ordering Code	Description	Lamp	Voltage
FRAME	KIT	H1	Standard 120V (leave blank)
	-KIT - Housing & Fixture -4KIT - 4 Fixture Pack	-H1 - Halogen	-2 - 230V 50Hz -3 - 277V 60Hz

COMPANY:	FIXTURE TYPE:	DATE:
PROJECT:	CONSULTANT:	APPROVED BY:

VISION 3



Description: Vision 3 square wall recessed fixture is perfect for walls and furniture. Inverse scoop reflector and body in silver finish. Vision 3 KIT includes Vision 3, housing, plaster screen, electronic transformer and 20 watt 12 volt G4 bipin base halogen JC lamp. General light distribution.

Body Finish: Silver

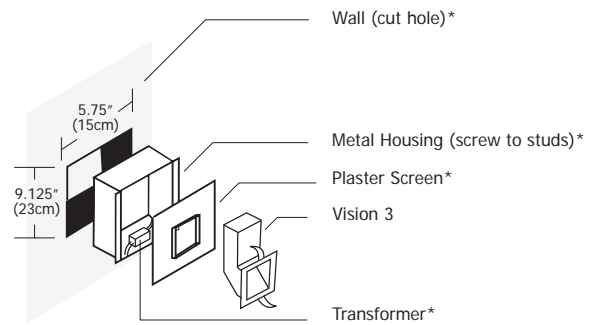
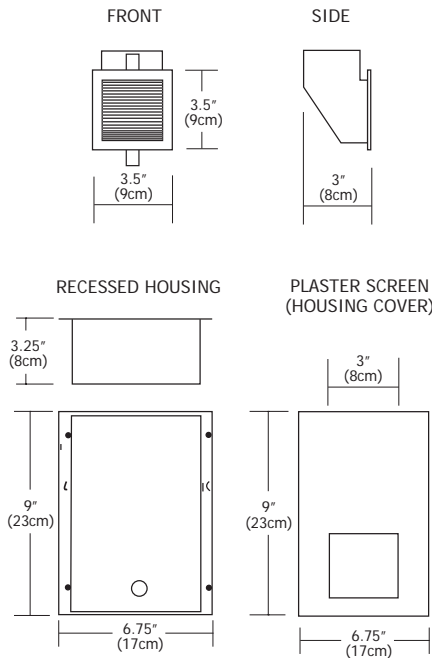
Lamp: **HALOGEN (H)**
H1 - JC/G4/20W/12V

Total Wattage: H1 - 20W

Dimmer: Low voltage electronic

Dimensions: W 3.5" x H 3.5" x D 3"
W 9cm x H 9cm x D 8cm

Weight: 2 lbs (0.9 kg)



*not required when installing in furniture

Ordering Code	Description	Lamp	Voltage
VISION3	KIT	H1	Standard 120V (leave blank)
	-KIT - Housing & Fixture	-H1 - Halogen	-2 - 230V 50Hz -3 - 277V 60Hz

COMPANY:	FIXTURE TYPE:	DATE:
PROJECT:	CONSULTANT:	APPROVED BY:

VISION 8



Description: Vision 8 rectangular wall recessed fixture is perfect for walls and furniture. Inverse scoop reflector and body in silver finish. Vision 8 KIT includes Vision 8, housing, plaster screen, electronic transformer and 20 watt 12 volt G4 bipin base halogen JC lamp. General light distribution.

Body Finish: Silver

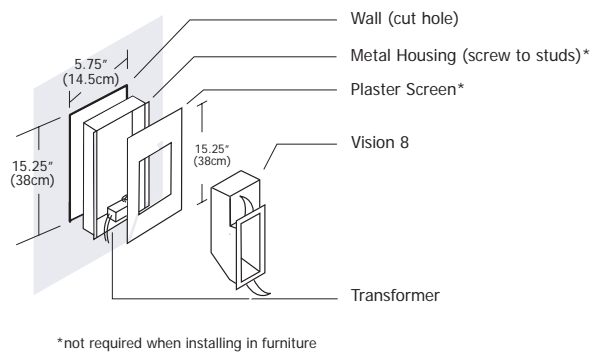
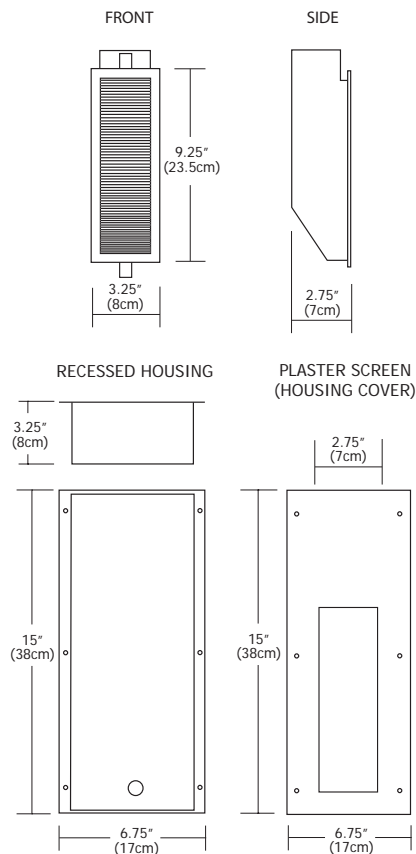
Lamp: **HALOGEN (H)**
H1 - JC/G4/20W/12V

Total Wattage: H1 - 20W

Dimmer: Low voltage electronic

Dimensions: W 3.25" x H 9.25" x D 2.75"
W 8cm x H 23.5cm x D 7cm

Weight: 3 lbs (1.36 kg)



Ordering Code	Description	Lamp	Voltage
VISION8	KIT -KIT - Housing & Fixture	H1 -H1 - Halogen	Standard 120V (leave blank) -2 - 230V 50Hz -3 - 277V 60Hz

COMPANY:	FIXTURE TYPE:	DATE:
PROJECT:	CONSULTANT:	APPROVED BY:

HEPBURN



Description: Hepburn wall sconce/bath bar features a white glass diffuser. Satin nickel or polished nickel finish options for backplate and brackets. Halogen (H1) includes six 40 watt G9 base halogen JCD lamps. Fluorescents (F1 and F1D) each include two 17 watt T8 lamps. Fluorescent (F1D) is dimmable with a standard incandescent dimmer. General light distribution. ADA compliant.



Diffuser: White

Body Finish: Satin Nickel or Polished Nickel

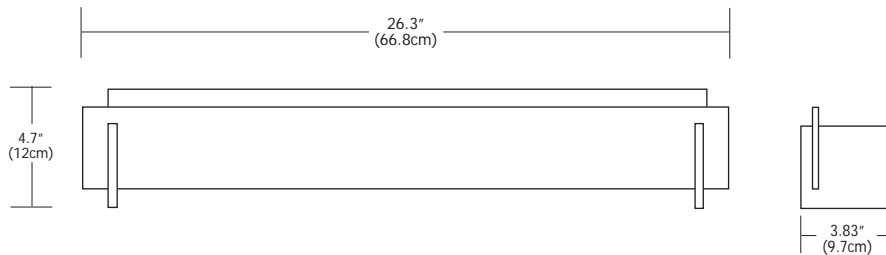
Lamp: **HALOGEN (H)**
H1 - 6xJCD/G9/40W
FLUORESCENT (F)
F1/F1D - 2xT8/17W

Total Wattage: H1 - 240W
F1/F1D - 34W - 3000K

Dimmer: Halogen (H1) - incandescent
Fluorescent (F1) - electronic ballast; not dimmable
Fluorescent (F1D) - electronic ballast; dimmable with standard incandescent dimmer

Dimensions: W 26.3" x H 4.7" x D 3.83"
W 66.8cm x H 12cm x D 9.7cm

Weight: 7 lbs (3.18 kg)



Ordering Code	Type	Size	Lamp	Finish	Voltage
HEPBURN	W	26	H1	SN	Standard 120V (leave blank)
	-W - Wall	-26" (66cm)	-H1 - Halogen -F1 - Fluorescent -F1D - Fluorescent Dimmable	-SN - Satin Nickel -PN - Polished Nickel	-2 - 230V 50Hz -3 - 277V 60Hz (F1 only)

COMPANY:	FIXTURE TYPE:	DATE:
PROJECT:	CONSULTANT:	APPROVED BY:

TWIN SLIM



Description: Twin Slim surface mounted rectangular mirror features vertical integral fluorescent lamps set behind frosted panels on each side, which project an even glow of light. Fluorescents (F1 and F1D) each include two 24 watt 3000K 82 CRI T5 high-output fluorescent lamps and electronic ballast. Fluorescent (F1D) is dimmable with a standard incandescent dimmer. General light distribution. ADA compliant.



Diffuser: Frosted Glass

Body Finish: Mirror

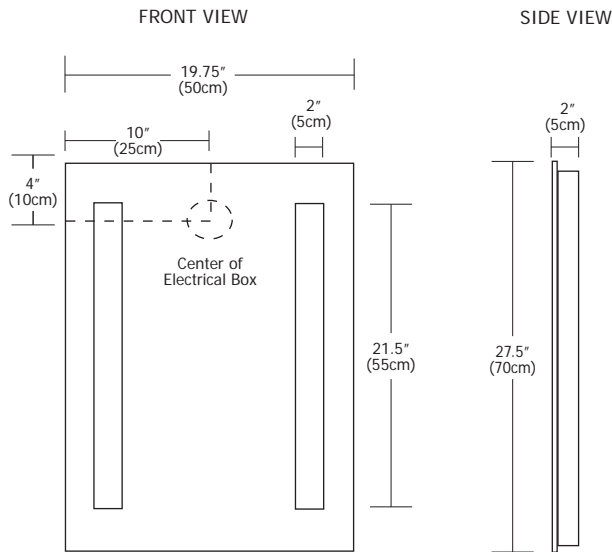
Lamp: **FLUORESCENT (F)**
F1/F1D - 2xT5HO/G5/24W

Total Wattage: F1/F1D - 48W - 3000K

Dimmer: Fluorescent (F1) - electronic ballast; not dimmable
Fluorescent (F1D) - electronic ballast; dimmable with standard incandescent dimmer

Dimensions: W 19.75" x H 27.5" x D 2"
W 50cm x H 70cm x D 5cm

Weight: 28 lbs (12.7 kg)



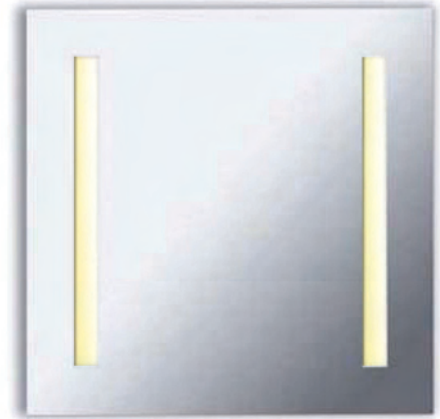
Ordering Code	Size	Lamp	Voltage
TWINSLIM	20 -20" (51cm)	F1 -F1 - Fluorescent -F1D - Fluorescent Dimmable	Standard 120V (leave blank) -2 - 230V 50Hz (F1 only) -3 - 277V 60Hz

COMPANY:	FIXTURE TYPE:	DATE:
PROJECT:	CONSULTANT:	APPROVED BY:

REFLECTION



Description: Reflection surface mounted rectangular mirror features vertical integral fluorescent lamps set behind frosted glass panels on each side, which provide even lighting. Fluorescents (F1 and F1D) each include two 55 watt 3000K 82 CRI T5 long single twin tube compact fluorescent lamps (with 4 pin 2G11 base) and electronic ballast. Fluorescent (F1D) is dimmable with a standard incandescent dimmer. General light distribution. ADA compliant.



Diffuser: Frosted Glass

Body Finish: Mirror

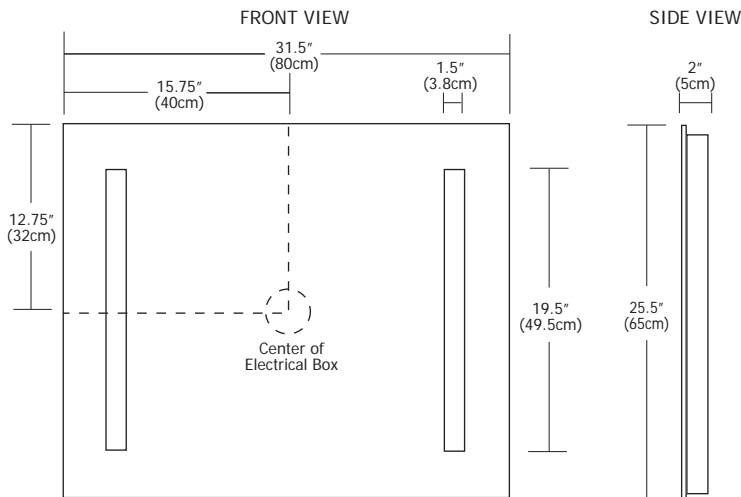
Lamp: **FLUORESCENT (F)**
F1/F1D - 2xT5/2G11/55W

Total Wattage: F1/F1D - 110W - 3000K

Dimmer: Fluorescent (F1) - electronic ballast; not dimmable
Fluorescent (F1D) - electronic ballast; dimmable with standard incandescent dimmer

Dimensions: W 31.5" x H 25.5" x D 2"
W 80cm x H 65cm x D 5cm

Weight: 31 lbs (14 kg)



Ordering Code	Size	Lamp	Voltage
REFLEC	32	F1	Standard 120V (leave blank)
	-32" (81cm)	-F1 - Fluorescent -F1D - Fluorescent Dimmable	-2 - 230V 50Hz (F1 only) -3 - 277V 60Hz

COMPANY:	FIXTURE TYPE:	DATE:
PROJECT:	CONSULTANT:	APPROVED BY:

PLAZA LARGE



Description: Plaza Large surface mounted rectangular mirror features four integral fluorescent lamps set behind an inset border of frosted glass. Also available in Small version. Two 39 watt and two 24 watt 3000K 82 CRI T5 high-output fluorescent lamps and electronic ballast included. Dimmable ballast available. General light distribution. ADA compliant.

Diffuser: Frosted Glass

Body Finish: Mirror

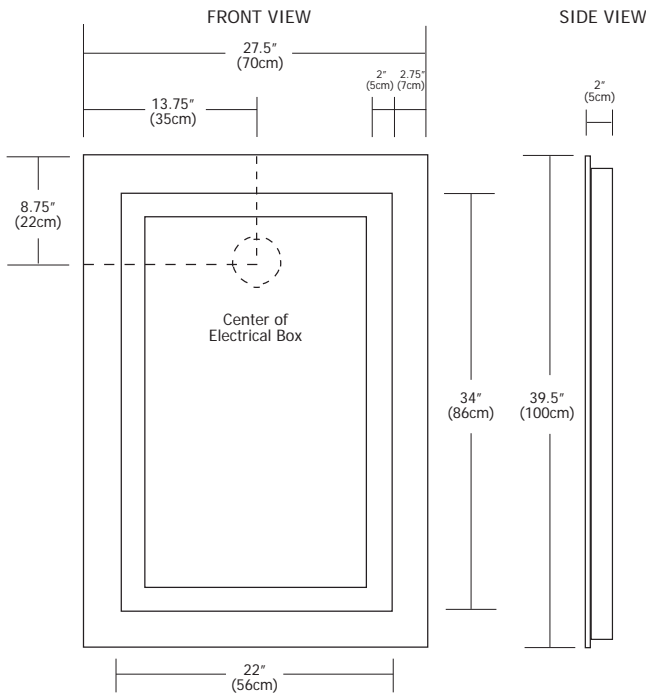
Lamp: **FLUORESCENT (F)**
F1/F1D - 2xT5HO/G5/24W + 2xT5HO/G5/39W

Total Wattage: F1/F1D - 126W - 3000K

Dimmer: Fluorescent (F1) - electronic ballast; not dimmable
Fluorescent (F1D) - electronic ballast; dimmable*
*Lutron® dimmer required - Diva (DVF-103P) or Nova (NF-10) recommended

Dimensions: W 27.5" x H 39.5" x D 2"
W 70cm x H 100cm x D 5cm

Weight: 53 lbs (24 kg)



Ordering Code	Size	Lamp	Voltage
PLAZA	L	F1	Standard 120V (leave blank)
	-L - Large	-F1 - Fluorescent -F1D - Fluorescent Dimmable	-2 - 230V 50Hz (F1 only) -3 - 277V 60Hz

COMPANY:	FIXTURE TYPE:	DATE:
PROJECT:	CONSULTANT:	APPROVED BY:

PLAZA SMALL



Description: Plaza Small surface mounted square mirror features four integral compact fluorescent lamps set behind an inset border of frosted glass. Also available in Large version. Fluorescents, F1 and F1D, each include four 55 watt 3000K 82 CRI T5 long single twin tube compact fluorescent lamps (with 4 pin 2G11 base) and electronic ballast. Fluorescent, F1D, is dimmable with a standard incandescent dimmer. General light distribution. ADA compliant.

Diffuser: Frosted Glass

Body Finish: Mirror

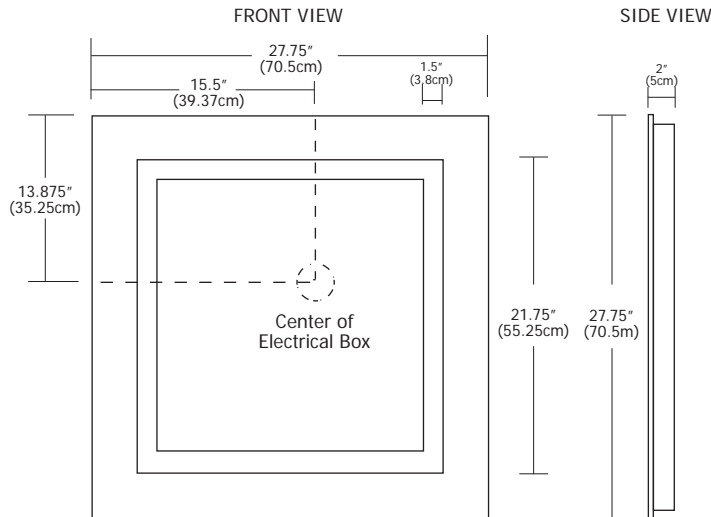
Lamp: **FLUORESCENT (F)**
F1/F1D - 4xT5/2G11/55W

Total Wattage: F1/F1D - 220W - 3000K

Dimmer: Fluorescent (F1) - electronic ballast; not dimmable
Fluorescent (F1D) - electronic ballast; dimmable with standard incandescent dimmer

Dimensions: W 27.75" x H 27.75" x D 2"
W 70.5cm x H 70.5cm x D 5cm

Weight: 39 lbs (17.7 kg)



Ordering Code	Size	Lamp	Voltage
PLAZA	S	F1	Standard 120V (leave blank)
	-S - Small	-F1 - Fluorescent -F1D - Fluorescent Dimmable	-2 - 230V 50Hz (F1 only) -3 - 277V 60Hz

COMPANY:	FIXTURE TYPE:	DATE:
PROJECT:	CONSULTANT:	APPROVED BY:



Description: Halo mirror with light is perfect for bathroom vanities. The C-shaped inset border of sandblasted glass diffuses light from a 3000K 40 watt T5 Circline fluorescent lamp. Lamp and electronic ballast included. General light distribution. ADA compliant.

Diffuser: Sandblasted Glass

Body Finish: Mirror

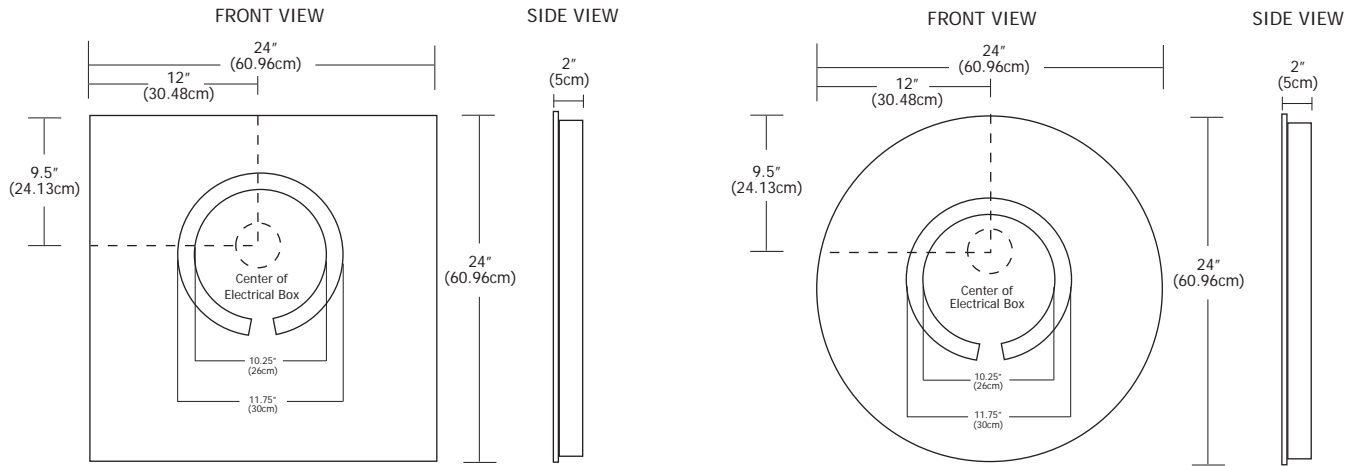
Lamp: **FLUORESCENT (F)**
F1 - T5CIRCLINE/2GX13/40W

Total Wattage: F1 - 40W - 3000K

Dimmer: Fluorescent - electronic ballast; not dimmable

Dimensions: W 24" x H 24" x D 2"
W 60.96cm x H 60.96cm x D 5cm

Weight: 14 lbs (6.35 kg)



Ordering Code	Description	Lamp	Voltage
HALO	SQ	F1	Standard 120V (leave blank)
	-SQ - Square -RD - Round	-F1 - Fluorescent	-2 - 230V 50Hz (F1 only) -3 - 277V 60Hz

COMPANY:	FIXTURE TYPE:	DATE:
PROJECT:	CONSULTANT:	APPROVED BY:

FLEX STRIP - INLINE LED



Description: INLINE LED snaps easily into the low-voltage Flex Strip system and uses Nichia 1/2 watt, warm white LEDs; 2" (5.08cm), 4" (10.16cm) and 12" (30.48cm) modules snap into the Flex Strip system instead of using the standard 3 watt or 5 watt festoon type lamp. INLINE LED 12" (30.48cm) modules consume only 8W per foot at 204 lumens compared to 37W per foot of Xenon Festoon type lamps. The remote #PS-LED-100-24DC or #PS-LED-600-24DC power supply is dimmable with a standard "off-the-shelf" Lutron #NTFTV dimmer and can power up to 70 ft of Flex Strip. Applications: cove, under cabinet and display lighting.

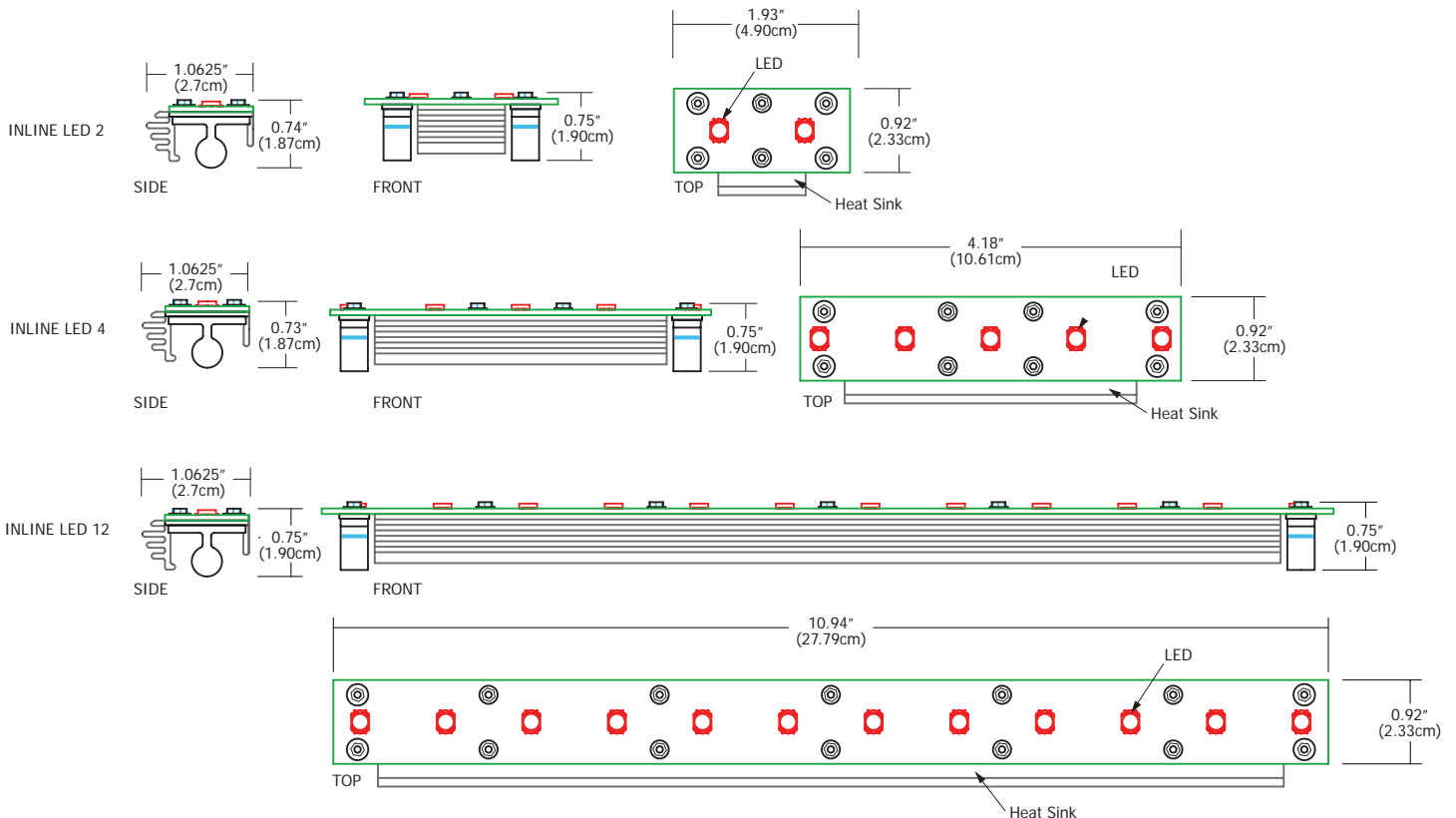


Lamp: 24VDC LED warm white 2950K
 INLED-2 = 2" (5.08cm) long 4.5W
 INLED-4 = 4" (10.16cm) long 6W
 INLED-12 = 12" (30.48cm) long 8W

Dimmer: Lutron NTFTV with power supply below

Remote Power Supply: #PS-LED-100-24DC or #PS-LED-600-24DC

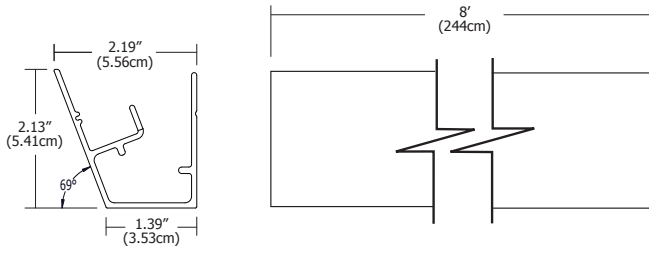
Weight: 5 oz (.142 kg)



Ordering Code **INLED** - Size **2** - Color Temp. **WW**
 -2" (5.08cm) -WW - Warm White - 2950K
 -4" (10.16cm)
 -12" (30.48cm)

COMPANY: _____ FIXTURE TYPE: _____ DATE: _____
 PROJECT: _____ CONSULTANT: _____ APPROVED BY: _____

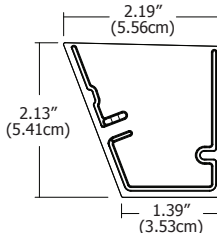
X-COVE SQUARE



XCO-SQ-8

Xenon X-Cove Square, 8' (244cm) long, low profile 2.13\" (5.41cm) extruded aluminum cove with a white power painted finish. 8' (244cm) coves can be field cut or joined together with inside connectors (included). May be fed with 1/2\" flexible electrical tubing from the end cap or from the wall. Flex Strip is ordered separately.

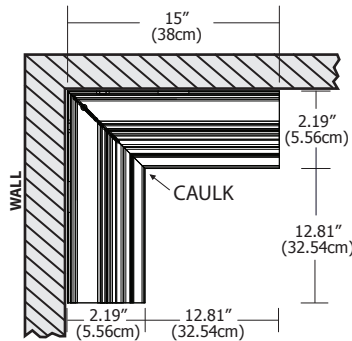
Ordering Code	Description	Size
XCO	SQ -SQ - Square	8 -8 Ft. Section



XCO-SQ-CAP

Xenon X-Cove Square End Caps, right and left for finished look. Can also be used as end feed.

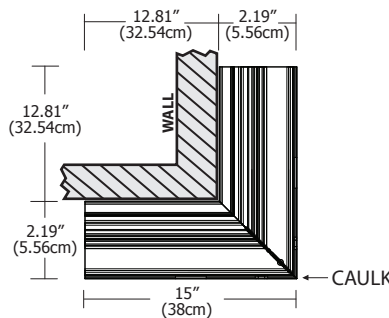
Ordering Code	Description	Size
XCO	SQ -SQ - Square	CAP -CAP - End Caps



XCO-SQ-90-IN

Xenon X-Cove Square, 90 degree inside corner extruded aluminum may be connected with inside connectors (included). Powder painted white.

Ordering Code	Description	Size	Corner Type
XCO	SQ -SQ - Square	90 -90 - 90 degree	IN -IN - Inside



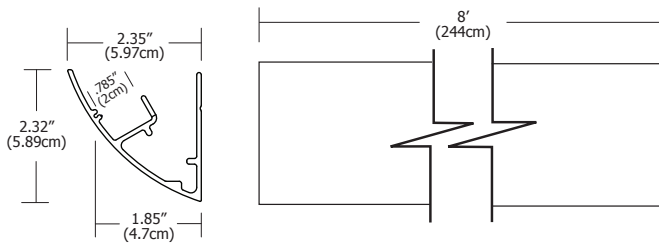
XCO-SQ-90-OUT

Xenon X-Cove Square, 90 degree outside corner extruded aluminum may be connected with inside connectors (included). Powder painted white.

Ordering Code	Description	Size	Corner Type
XCO	SQ -SQ - Square	90 -90 - 90 degree	OUT -OUT - Outside

COMPANY:	FIXTURE TYPE:	DATE:
PROJECT:	CONSULTANT:	APPROVED BY:

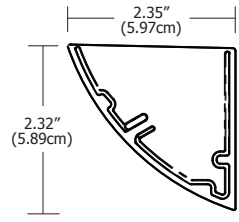
X-COVE ROUND



XCO-RD-8

Xenon X-Cove Round, 8' (244cm) long, low profile 2.32" (5.89cm) extruded aluminum cove with a white power painted finish. 8' (244cm) coves can be field cut or joined together with inside connectors (included). May be fed with 1/2" flexible electrical tubing from the end cap or from the wall. Flex Strip is ordered separately.

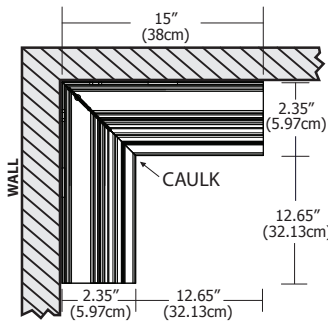
Ordering Code	Description	Size
XCO	RD -RD - Round	8 -8 Ft. Section



XCO-RD-CAP

Xenon X-Cove Round End Caps, right and left for finished look. Can also be used as end feed.

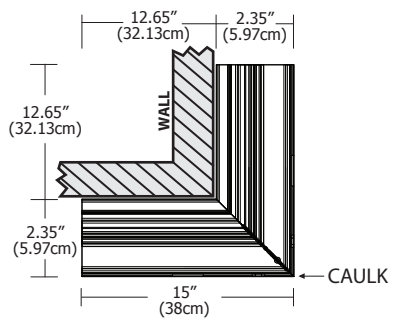
Ordering Code	Description	Size
XCO	RD -RD - Round	CAP -CAP - End Caps



XCO-RD-90-IN

Xenon X-Cove Round, 90 degree inside corner extruded aluminum may be connected with inside connectors (included). Powder painted white.

Ordering Code	Description	Size	Corner Type
XCO	RD -RD - Round	90 -90 - 90 degree	IN -IN - Inside



XCO-RD-90-OUT

Xenon X-Cove Round, 90 degree outside corner extruded aluminum may be connected with inside connectors (included). Powder painted white.

Ordering Code	Description	Size	Corner Type
XCO	RD -RD - Round	90 -90 - 90 degree	OUT -OUT - Outside

COMPANY:	FIXTURE TYPE:	DATE:
PROJECT:	CONSULTANT:	APPROVED BY:



LED POWER SUPPLY



Description: Remote power supply is compatible with INLINE LED. The dimmable recessed or surface mounted power supply is for LED 100 watt or 600 watt 24 volt DC. 120-240 volt input, 2 wire 0-10 volt control, 2 wire 24 volt DC output. Non-dimmable version is for LED 100 watt or 320 watt 24 volt DC.

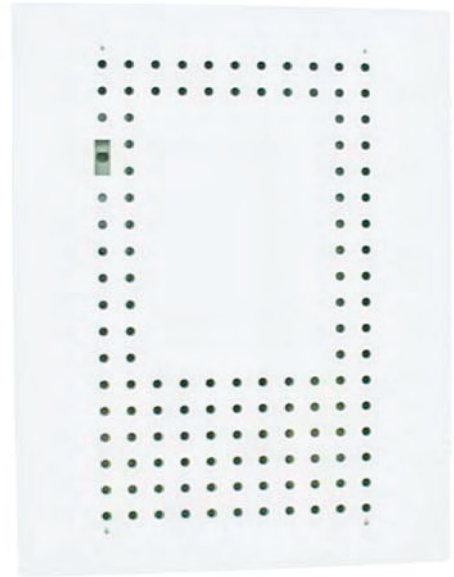
- Features:**
- Unit can be either recessed mounted or surface mounted
 - Knockouts on top and bottom
 - Input breaker and load circuit protection
 - High frequency dimming AC and/or DC power*
 - Dimming is controlled on the output side of the power supply*
- *Dimmable version only

Body Finish: Flat White Powder Coated Aluminum

Dimmer Control: 0-10V (not included) - dimmable version only
0-10V dimmer offered by the following manufacturers:

- Lutron -Hunt
- Lightolier -Creston
- LiteTouch -Leviton
- Vantage

Wattage: Dimmable - 100W or 600W
Non-Dimmable - 100W or 320W

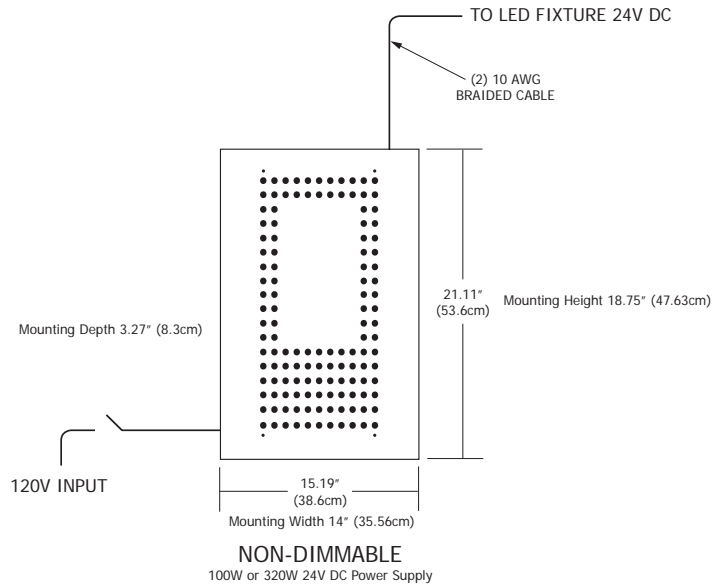
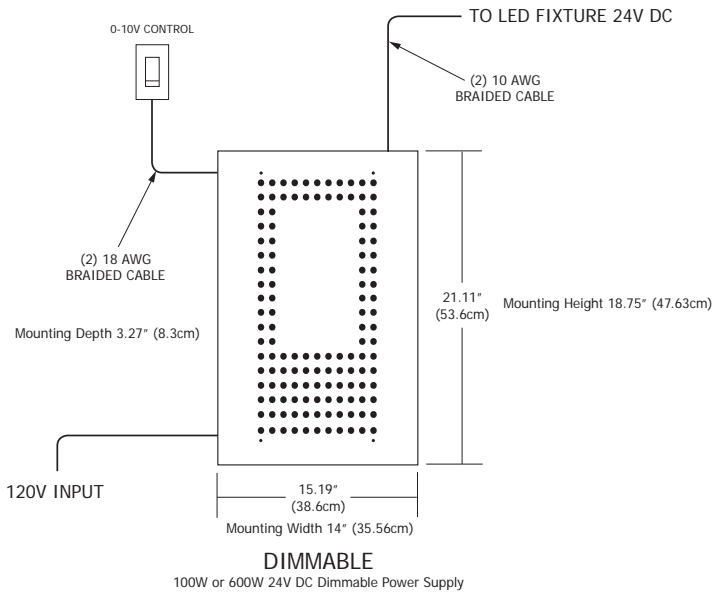


Voltage Drop Chart

100W, 320W or 600W 24V DC

Required Wire Gauge Between Remote Power Supply (PS-LED) and Fixture

PS-LED Distance From Fixture	5 Ft.	6-15 Ft.	16-20 Ft.	21-40 Ft.	41-60 Ft.	61-90 Ft.
Wire Gauge To Use	10 Ga.	8 Ga.	6 Ga.	4 Ga.	2 Ga.	1 Ga.



Ordering Code	Power Supply	Voltage	Dimming
PS-LED	100 <small>-100 - 100W -320 - 320W (ND only) -600 - 600W (DM only)</small>	24DC	DM <small>-DM - Dimmable -ND - Non-Dimmable</small>

COMPANY:	FIXTURE TYPE:	DATE:
PROJECT:	CONSULTANT:	APPROVED BY:

FLEX STRIP



ETL/CSA/CE Listed.
Designed to conform with UL2108 and NEC411 codes

Description: Compatible with Xenon lamps or INLINE LED, the low-voltage flexible linear light strip is made of 10-gauge copper wire with clear insulation and white high-temperature polycarbonate. Lamp sockets with twin weather-proof stainless steel spring clips. Lamp spacing 2.25" (5.75cm) on center with 5.3 sockets per foot. Maximum load 25 amps at 24V/600W or 12V/300W (transformer and lamps sold separately). Using 24 volt allows twice the length as 12 volt. Fully dimmable, field-cuttable and flexible up to 90°. Flex Strip should be mounted at least 1" from wall. May be made rigid with 8-foot C-Channel accessory (sold separately). See other accessories below.



Applications: Indoor or damp locations (Xenon 12V). Cove lighting, accent toe kicks, undercabinet, display cases, and awnings.

Lamp: Xenon - 3W or 5W/12V or 24V (sold separately)
INLED-12 - 24VDC LED warm white 2950K

Wattage: Xenon - 3W or 5W per socket; 16W or 28W per foot
INLED-12 - 8W per foot

Average Lamp Life : Xenon - 3W - 10,000 Hrs
Xenon - 5W - 20,000 Hrs
INLED-12 - 8W - 50,000 Hrs

Dimmer: Xenon - Low voltage magnetic or electronic
INLED-12 - 0-10V fluorescent dimmer

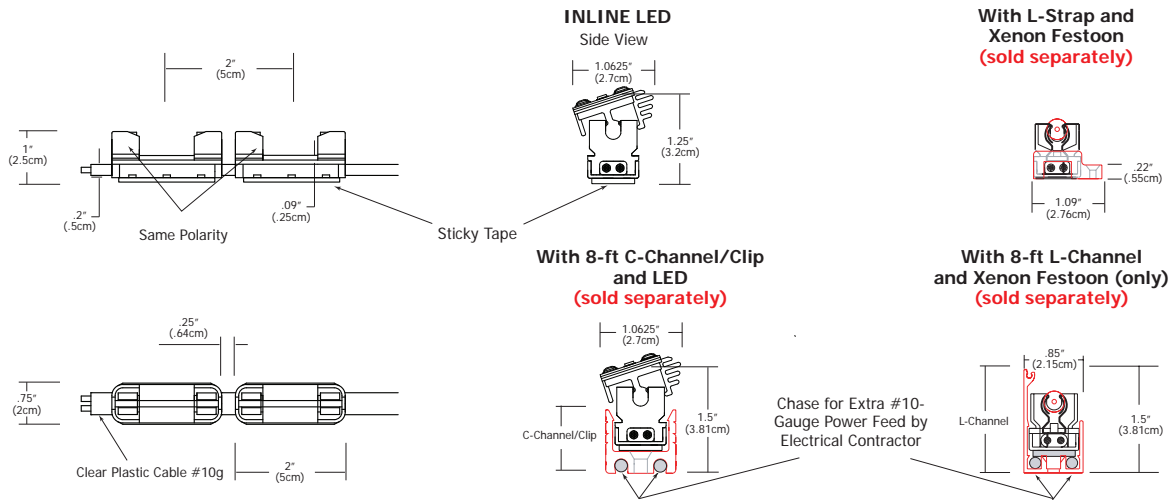
Dimensions: Xenon - .75" (1.9cm) wide and 1" (2.5cm) high
INLED-12 - 12" (30.48cm) long

Accessories: 8-foot C-Channel/Clip, L-Strap, 8-foot L-Channel (Xenon only), MR8/11 and MR16 Swivel Lamp Holders, Side Socket, Canopy, Splice Box, Connector, Power Connector and End Cap (sold separately)

Maximum Length Chart

Maximum Single-Amp Circuit Run Before Refeeding

Lamp Code	Volts/Watts	Max lamps	Max length
XF12V3W	12V 3W	100	18 ft 10 in (574.04cm)
XF12V5W	12V 5W	60	11 ft 4 in (345.44cm)
XF24V3W	24V 3W	200	37 ft 8 in (1148.08cm)
XF24V5W	24V 5W	120	22 ft 8 in (690.88cm)
INLED-12	24V 8W	80	80 Ft (2438.4cm)



Ordering Code Length in Feet*

*(50 and 100 ft lengths are standard)
Refer to Maximum Length Chart to order correct length for maximum 25 amp circuit

COMPANY: FIXTURE TYPE: DATE:
PROJECT: CONSULTANT: APPROVED BY:



XENON FLEX STRIP KIT



ETL/CSA/CE Listed.
Designed to conform with UL2108 and NEC411 codes

Description: Ordering Kit with Specification Guide will include all lamps/bulbs, correct size transformer and complete kit hardware for installation. Xenon low-voltage flexible linear light strip made of 10-gauge copper wire with clear insulation and white high-temperature Polycarbonate. Lamp sockets with twin weather-proof stainless steel spring clips. Lamp spacing 2.25" (5.75cm) on center with 5.3 sockets per foot. Maximum load 25 amps; 24V/600W or 12V/300W (transformer required). Using 24 volt allows twice the length as 12 volt. Fully dimmable, field-cutable and flexible up to 90 degrees. May be made rigid with C-Channel (sold separately).



Applications: Indoor or damp locations. Cove lighting, accent toe kicks, undercabinet, display cases, awnings.

Lamp: Frosted Xenon Festoon 3W or 5W; 12V or 24V (included)

Wattage: 3W or 5W per socket; 16W or 28W per foot

Average Lamp Life :
3W - 10,000 Hrs
5W - 20,000 Hrs

Dimmer: Low voltage magnetic or electronic

Dimensions: .75" (1.9cm) wide and 1" (2.5cm) high

Kit Includes: Specified length of Flex Strip in feet with Xenon lamps included, correct size transformer, L-Straps, Splice Box and End Cap

Extra Accessories: C-Channel/Clip, L-Channel, Canopy, Power Connector, MR8/11 and MR16 Swivel Lamp Holders and Side Socket

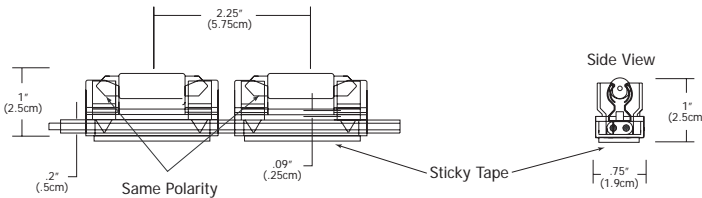
Kit Includes:



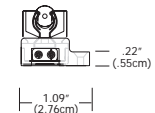
Specified length of Flex Strip in feet with lamps



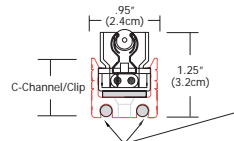
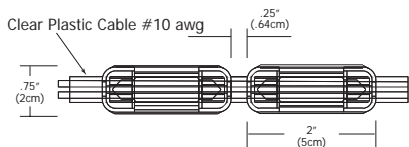
Actual Size



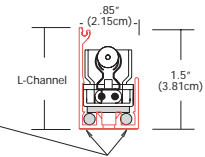
Flex Strip with L-Strap Accessory (included)



Flex Strip with C-Channel/Clip (sold separately)



Flex Strip with L-Channel (sold separately)



Ordering Code	Lamp Type	Voltage	Wattage	Max Length in Ft	Transformer
FK	XF	12V	3	36	MA
		-12V	-3	Up To 18 Ft (548.64cm)	-MA - Magnetic
		-12V	-5	Up to 11 Ft (335.28cm)	-EL - Electronic
		-24V	-3	Up To 36 Ft (1097.28cm)	(Only up to 300W)
		-24V	-5	Up To 22 Ft (670.76cm)	

COMPANY: _____ FIXTURE TYPE: _____ DATE: _____
PROJECT: _____ CONSULTANT: _____ APPROVED BY: _____

FLEX STRIP TRANSFORMERS



Maximum Length Maximum Single Amp Circuit Run Before Refeeding



The maximum capacity of a system must not exceed 25 amps. Maximum total wattage is 600W at 24V and 300W at 12V. Run lengths exceeding these limitations require multiple fixtures, each with independent feed running to the transformer.



To determine the required quantity of feeds:

1. Add up the total Flex Strip length in feet
 2. Multiply by 5.3 (lamp sockets per foot)
 3. Multiply result by watts per chosen lamp
 4. Divide by maximum total wattage
 5. Round up to next whole number
- See transformers listed below.

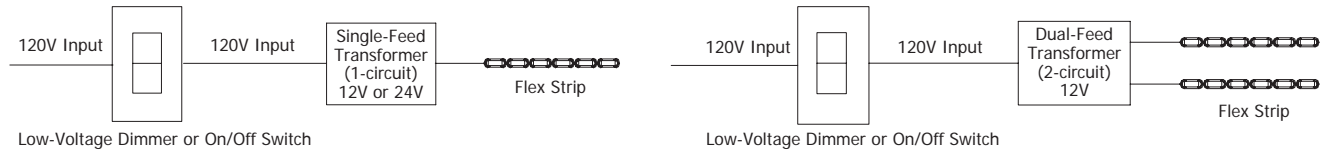
Example:
 (Ft. of Flex Strip) 100
 $\times 5.3 = 530$
 $(3W) \times 3 = 1,590$
 $(24V) \div 600 = 2.3$
 $= 3$
 (Three 600W feeds required)

Maximum Length Chart (25 Amps)

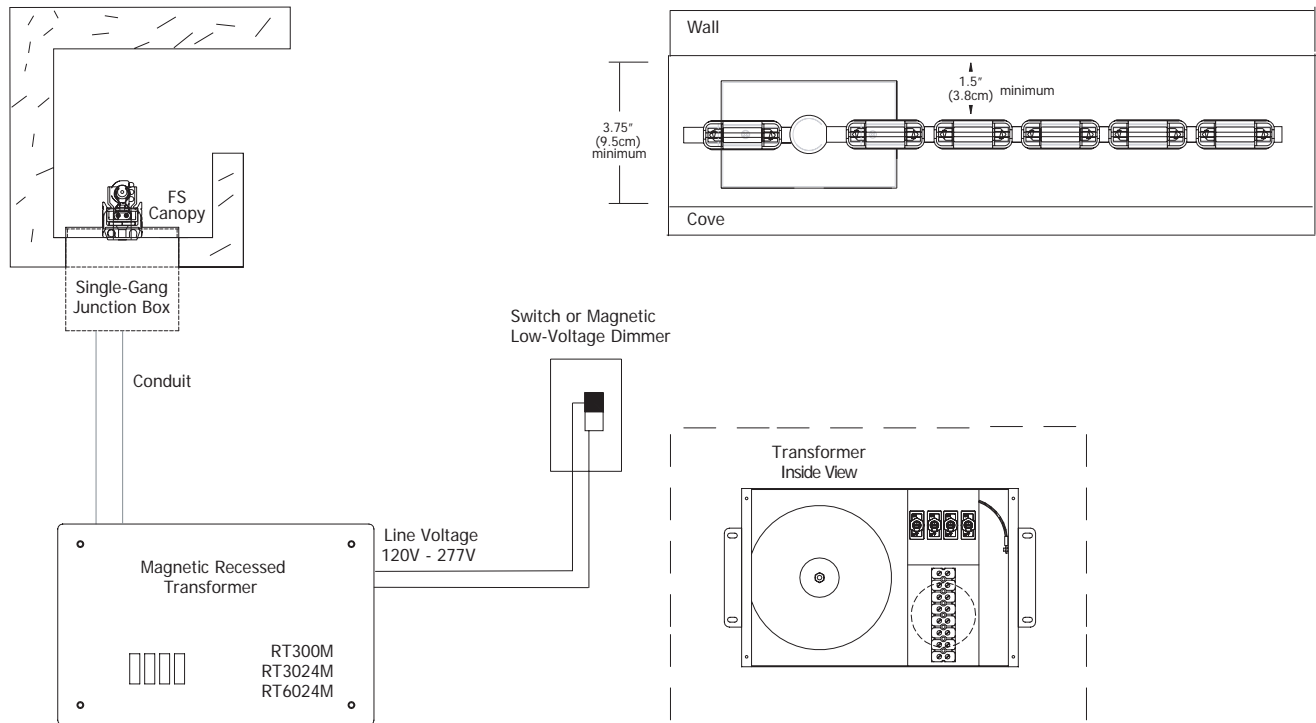
Lamp Code	Volts/Watts	Max Lamps	Max Length
XF12V3W	12V 3W	100	18 ft 10 in (574.04cm)
XF12V5W	12V 5W	60	11 ft 4 in (345.44cm)
XF24V3W	24V 3W	200	37 ft 8 in (1148.08cm)
XF24V5W	24V 5W	120	22 ft 8 in (690.88cm)

Locate the power feed in the middle of fixture run to ensure even illumination

Flex Strip System Layout



Cove Location Layout



Single Feed (1-circuit) Transformers

Magnetic Surface	Magnetic Recessed	Electronic Surface	3W Lamp	5W Lamp
AT60			3 ft 6 in	2 ft 1 in
AT150			9 ft 5 in	5 ft 8 in
AT300	RT300M	901303070-12V	18 ft 10 in	11 ft 4 in
AT3024	RT3024M	901303100-24V	18 ft 10 in	11 ft 4 in
AT6024	RT6024M		37 ft 8 in	22 ft 8 in

Dual Feed (2-circuit) Transformers

Magnetic Surface	Magnetic Recessed	Circuits	3W Lamp	5W Lamp
AT600	RT600M	2 x 12V 300W	2 x 18 ft 10 in	2 x 11 ft 4 in

COMPANY:

FIXTURE TYPE:

DATE:

PROJECT:

CONSULTANT:

APPROVED BY:

FLEX STRIP CONNECTION HARDWARE



ETL/CSA /CE Listed.
Designed to conform with
UL2108 and
NEC411 codes

NAME	ORDERING CODE	FINISH	DESCRIPTION
FS CANOPY	FSCAN	WHITE	Canopy cover for single-gang J-Box. Includes cap.

Top View

FS SPLICE BOX	FSSBX	WHITE	Connects transformer to external J-Box.
---------------	-------	-------	-----------------------------------------

Space for .5" (1.27cm) conduit connector

FS CONNECTOR	FSC	WHITE	Connects two sections of Flex Strip together.
--------------	-----	-------	-----------------------------------------------

POWER CONNECTOR	FSPC	WHITE	Connects two sections of Flex Strip together with lamp.
-----------------	------	-------	---------------------------------------------------------

FS END CAP	FSEND	WHITE	Slips on end of strip to prevent shorting.
------------	-------	-------	--------------------------------------------

COMPANY:	FIXTURE TYPE:	DATE:
PROJECT:	CONSULTANT:	APPROVED BY:

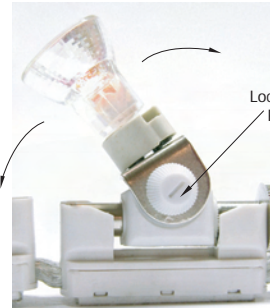
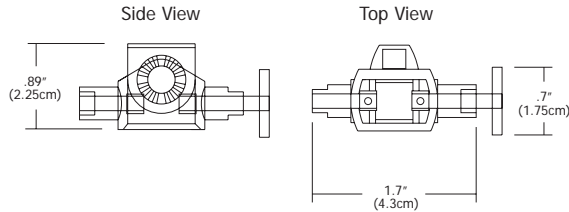


FLEX STRIP LAMPS & LAMP ACCESSORIES

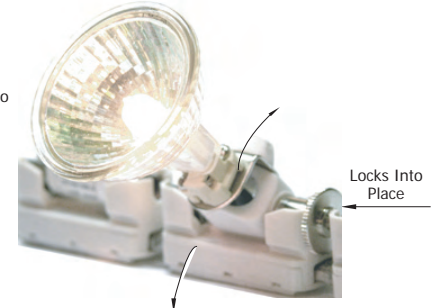


ETL/CSA/CE Listed.
Designed to conform with UL2108 and NEC411 codes

NAME	ORDERING CODE	FINISH	DESCRIPTION
FS MR8/11	FSMR8	WHITE	Adapts 20W-30W MR8/11 lamp to the Festoon's socket.
FS MR16 HOLDER	FSMR16	WHITE	Adapts MR16 lamp up to 50W to the Festoon's socket. Adjustable lamp angle up to 120 degrees. *Lamps not included.

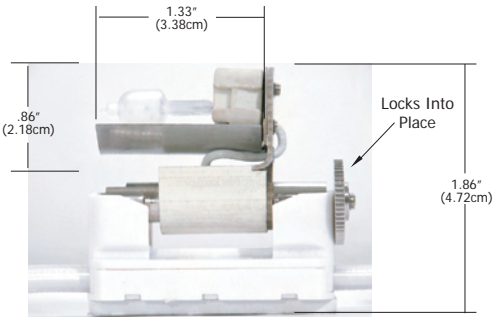
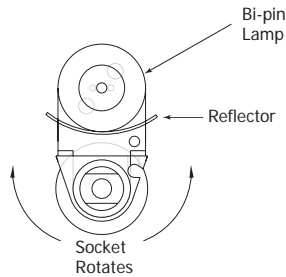


MR8/11



MR16

NAME	ORDERING CODE	FINISH	DESCRIPTION
FS SIDE SOCKET	FSSS	WHITE	Adapts 20W Bi-Pin lamp to the Festoon's socket. Reflector keeps light in one direction at chosen angle. Good for under cabinets and in display cabinets. *Lamps not included.



XENON FESTOON LAMP



Actual Size

All Xenon Festoon (XF) lamps are frosted and offer long incandescent lamp life. Lamp spacing is 2.25" (5.75cm) on center with 5.3 sockets per foot.

- 5W has 20,000 hr lamp life. 3W has 10,000 hr. CRI 100.
- May be used with a magnetic or electronic transformer.
- **24 volt system advantage:** Allows length of strip to be twice as long before refeeding and still conform with UL1598 and NEC411 codes.

Maximum Length Chart (Maximum Single Amp Circuit Run Before Refeeding)

Lamp Code	Volts/Watts	Color	Foot Candles*	Watts per Ft.	Lamp Life Hrs.	Max Length 25 Amp LV Circuit	Max Total Watts
XF12V3W	12V 3W	2800K	48 fc	16	10,000	18 ft 10 in (574.04cm)	300W
XF12V5W	12V 5W	2800K	70 fc	26.5	20,000	11 ft 4 in (345.44cm)	300W
XF24V3W	24V 3W	2800K	40 fc	16	10,000	37 ft 8 in (1148.08cm)	600W
XF24V5W	24V 5W	2800K	70 fc	26.5	20,000	22 ft 8 in (690.88cm)	600W

*Foot Candle readings are from 12" (30.48cm) of Flex Strip with 5 lamps, 6" (15.24cm) away from meter

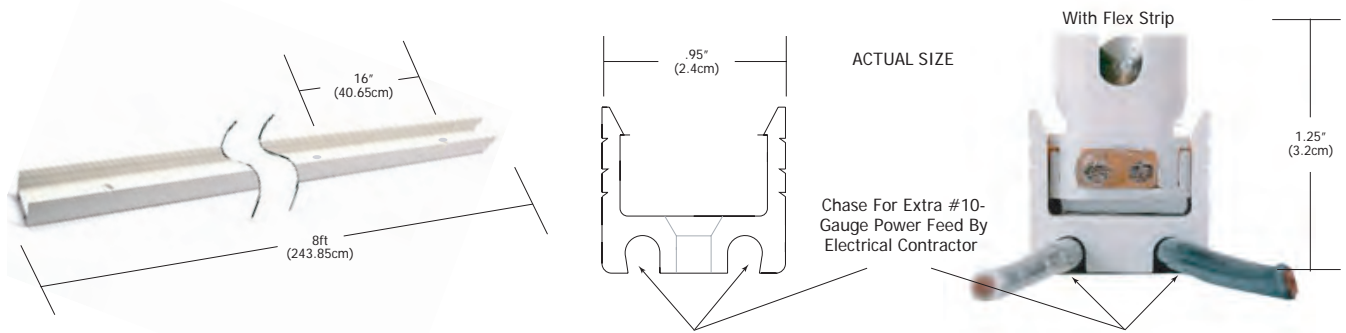
COMPANY:	FIXTURE TYPE:	DATE:
PROJECT:	CONSULTANT:	APPROVED BY:

FLEX STRIP MOUNTING HARDWARE

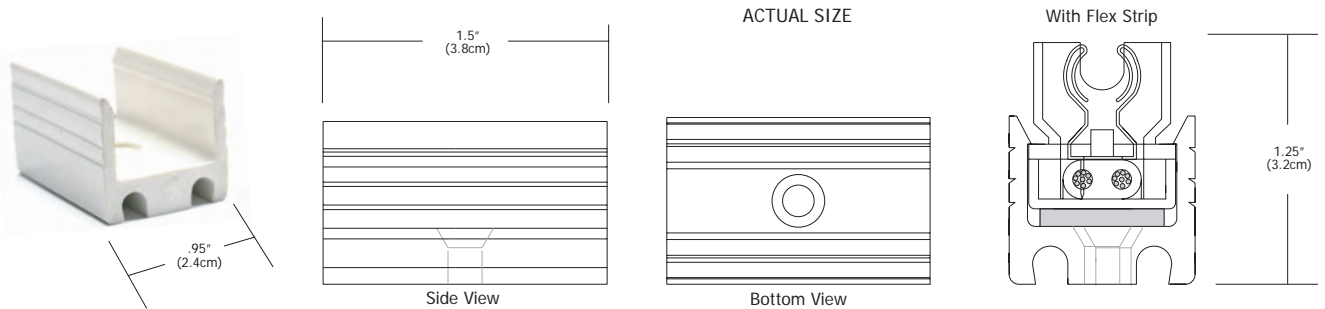


ETL/CSA/CE Listed.
Designed to conform with UL2108 and NEC411 codes

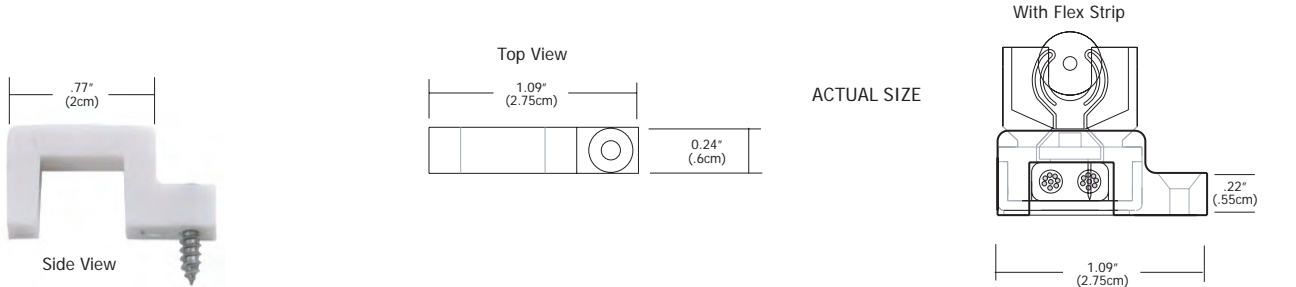
NAME	ORDERING CODE	FINISH	DESCRIPTION
FS C-CHANNEL	FSCCH	WHITE	Polycarbonate C-Channel, holds strip rigid. 8 ft lengths, field-cutttable.



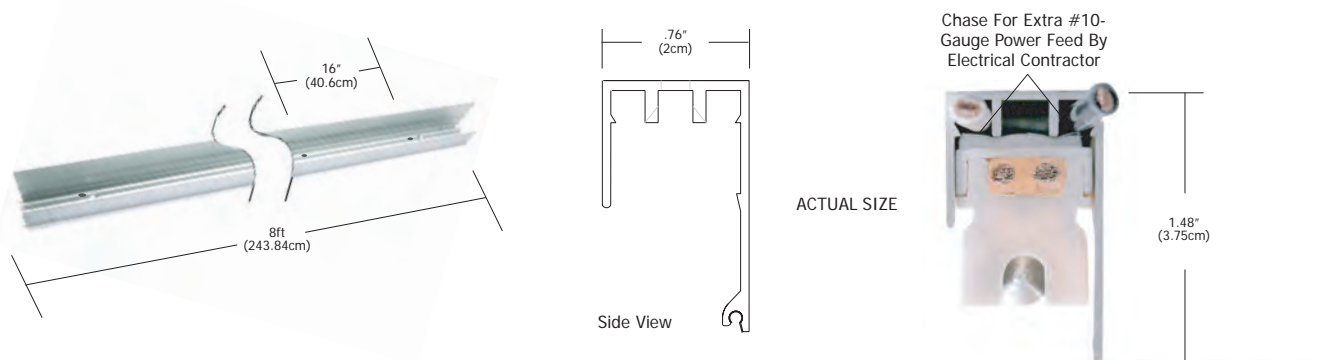
FS C-CLIP	FSCCLIP	WHITE	Polycarbonate C-Clip, secures Flex Strip in channel. Includes 1-inch long #8 screws (10 per bag).
-----------	---------	-------	---------------------------------------------------------------------------------------------------



FS L-STRAP	FSLS	WHITE	Polycarbonate L-Strap, permanently secures Flex Strip to surface. Includes 1-inch long #8 screws (10 per bag).
------------	------	-------	----------------------------------------------------------------------------------------------------------------



FS L-CHANNEL	FSLCH	ALUMINUM	Aluminum L-Channel, prevents glare for undercabinet applications. 8 ft. lengths.
--------------	-------	----------	----------------------------------------------------------------------------------



COMPANY:	FIXTURE TYPE:	DATE:
PROJECT:	CONSULTANT:	APPROVED BY:

MINIPOINT LED



Description: Extremely slim recessed high powered 1.3 watt white (3100K) LED, 12VDC. Features a 16 degree precise focus tempered glass lens with a stainless steel round beveled edge trim. The trim accepts any color of Rosco or Lee color filter gels. The aluminum housing dissipates heat and allows the LED to operate at its optimum working temperature, thus giving the LED a stable light output and long lifetime. Can be used indoors and outdoors. IP 65.



Body Finish: Stainless Steel

Lamp: LED array 12V DC with bright white LED

Body Housing: Aluminum

Wattage: 1.3W

Power Supply: #319-0015 Class 2 120VAC/12VDC 10W, may power up to 6 MiniPorts before refeeding

Dimmer: Low voltage magnetic

Dimensions: Diameter 1.875" (4.76cm) x Depth 3.5" (9cm)

Accessories: Any theatrical gel or film may be cut and placed inside for color change.

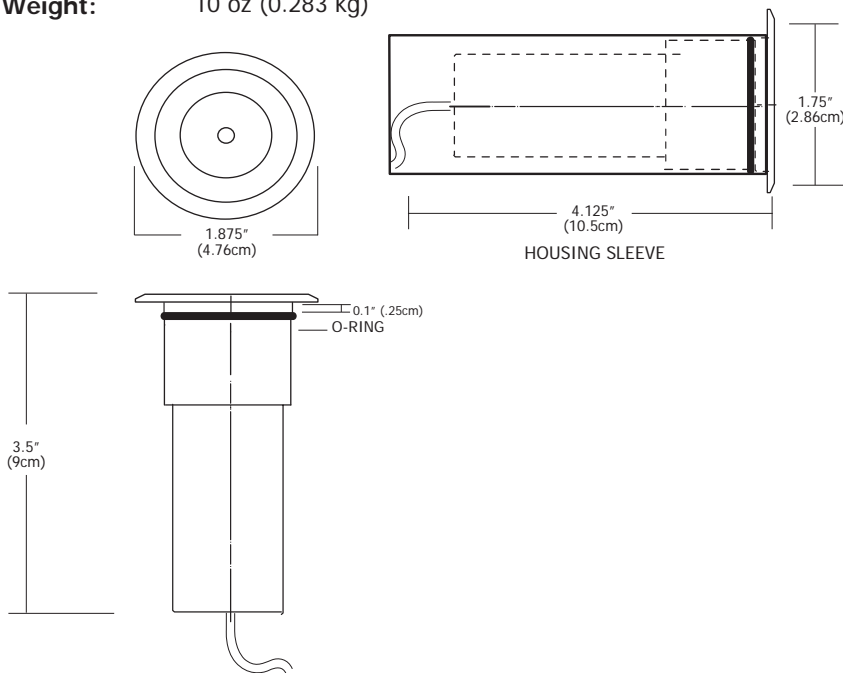
SPECIAL LENS:

AL-F1-BP - 1.125" (2.86cm) diameter film lens that crossfades from blue to pink as you walk by

AL-F1-YP - 1.125" (2.86cm) diameter film lens that crossfades from yellow to pink as you walk by

AL-F20D - 1.125" (2.86cm) diameter film lens that refracts the beam 20 degrees down. Perfect for step lighting.

Weight: 10 oz (0.283 kg)



Ordering Code	Lamp	Description	Finish	Voltage
MINIPOINT	LED	RD	SS	Standard 120V (leave blank)
	-LED - LED	-RD - Round	-SS - Stainless Steel	-2 - 230V 50Hz

COMPANY:	FIXTURE TYPE:	DATE:
PROJECT:	CONSULTANT:	APPROVED BY: