

MINIPOINT LED



Description: Extremely slim recessed high powered 1.3 watt white (3100K) LED, 12VDC. Features a 16 degree precise focus tempered glass lens with a stainless steel round beveled edge trim. The trim accepts any color of Rosco or Lee color filter gels. The aluminum housing dissipates heat and allows the LED to operate at its optimum working temperature, thus giving the LED a stable light output and long lifetime. Can be used indoors and outdoors. IP 65.



Body Finish: Stainless Steel

Lamp: LED array 12V DC with bright white LED

Body Housing: Aluminum

Wattage: 1.3W

Power Supply: #319-0015 Class 2 120VAC/12VDC 10W, may power up to 6 MiniPorts before refeeding

Dimmer: Low voltage magnetic

Dimensions: Diameter 1.875" (4.76cm) x Depth 3.5" (9cm)

Accessories: Any theatrical gel or film may be cut and placed inside for color change.

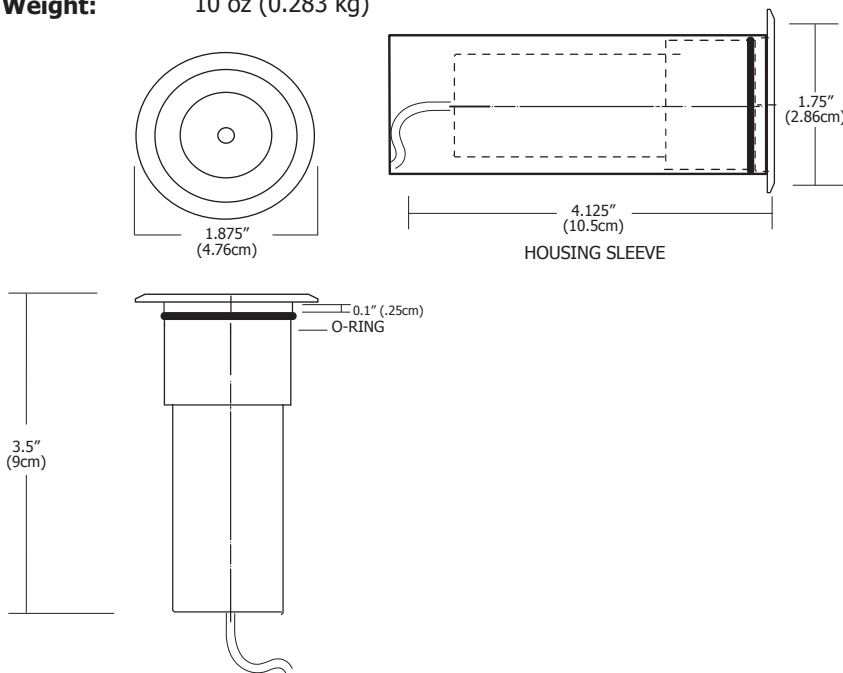
SPECIAL LENS:

AL-F1-BP - 1.125" (2.86cm) diameter film lens that crossfades from blue to pink as you walk by

AL-F1-YP - 1.125" (2.86cm) diameter film lens that crossfades from yellow to pink as you walk by

AL-F20D - 1.125" (2.86cm) diameter film lens that refracts the beam 20 degrees down. Perfect for step lighting.

Weight: 10 oz (0.283 kg)



Ordering Code	Lamp	Description	Finish	Voltage
MINIPOINT	LED	RD	SS	Standard 120V (leave blank)
	-LED - LED	-RD - Round	-SS - Stainless Steel	-2 - 230V 50Hz

COMPANY:	FIXTURE TYPE:	DATE:
PROJECT:	CONSULTANT:	APPROVED BY: