



1718 W. Fullerton Chicago, IL 60614  
 Ph: 773.770.1195 • Fax: 773.935.5613  
 www.PureEdgeLighting.com • info@PureEdgeLighting.com  
 © 2016 PureEdge Lighting. All Rights Reserved.

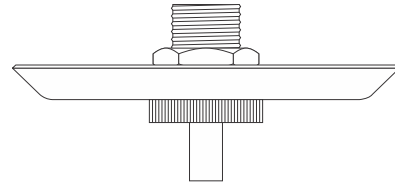
## Installation Instructions for 2" Round & Square Cable Grip Power Canopies with Plaster Plate Mount

CCS-2\_-JBOX\_-

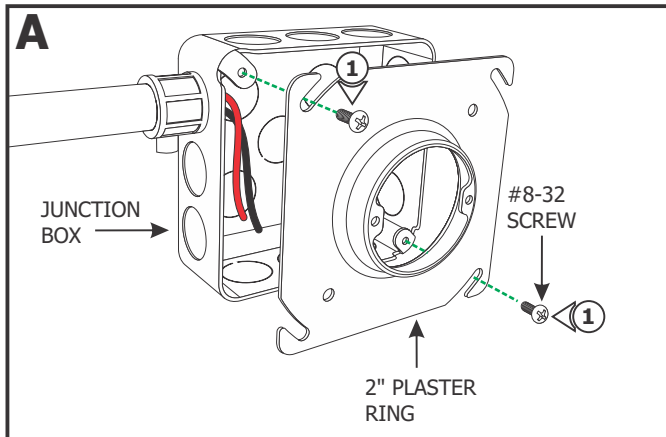
### IMPORTANT INFORMATION

- This product is installed to a 4" electrical box or to an octagon electrical box using the 2" plaster ring provided.
- Minimum electrical box volume must be 6 cubic inches (98 cubic centimeters).
- This product is intended only to be used with the Linear Suspension series.

**SAVE THESE INSTRUCTIONS!**



### Install the 2" Plaster Ring For New Construction



**NOTE:** Junction box must be mounted to allow clearance of 1/2" between the face of the junction box and the drywall surface.

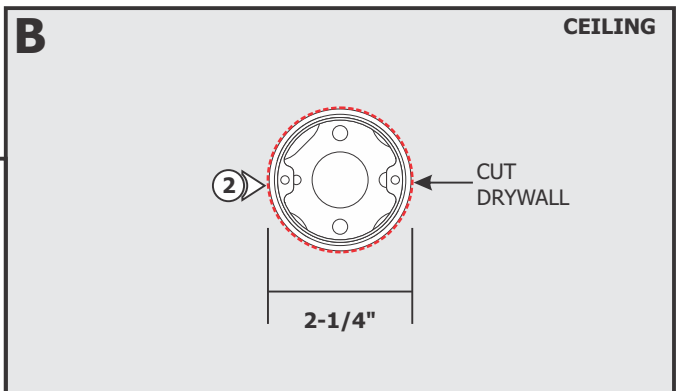
**NOTE:** 24VDC power wires must be present inside the junction box. Refer to the installation instructions provided with the power supply.

**1:** Install the 2" plaster ring to the junction box using two #8-32 screws.

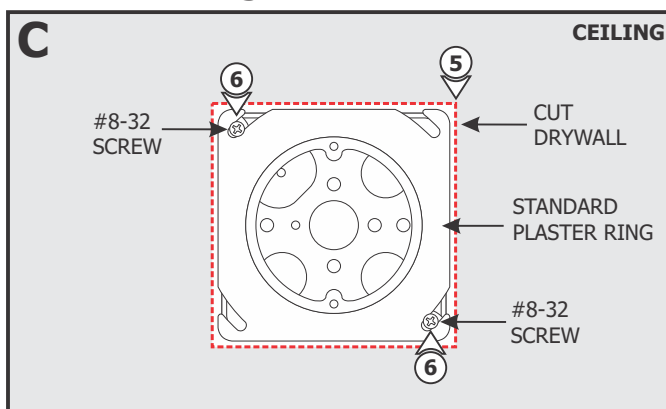
**2:** Use a circular saw to cut out the drywall section where the plaster ring is located.

**3:** Install the drywall. If necessary plaster, and finish the drywall.

**4:** Complete the installation by following steps in "**Prepare Power Cable and Install Cable Grip**" section.



### For Remodeling



**5:** Cut away the drywall where the junction box is located.

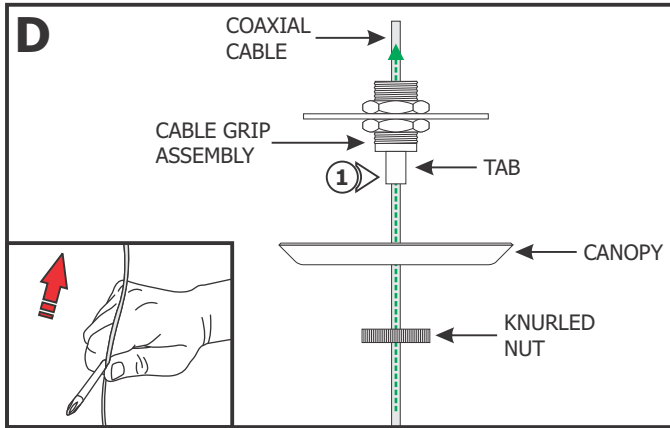
**6:** Uninstall the existing plaster ring by removing the #8-32 screws.

**7:** Install the 2" Plaster Ring to the junction box using two #8-32 screws.

**8:** Plaster and finish around the junction box opening.

**9:** Finish Cable Grip installation by following steps in "**Prepare Power Cable and Install Cable Grip**" section.

# Prepare Power Cable and Install Cable Grip



**1:** Feed the coaxial cable through the knurled nut, 2" canopy and cable grip assembly respectively. Press the tab on the cable grip to feed the cable through.

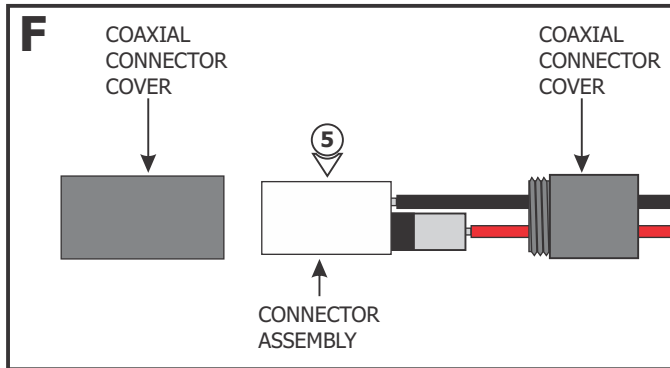
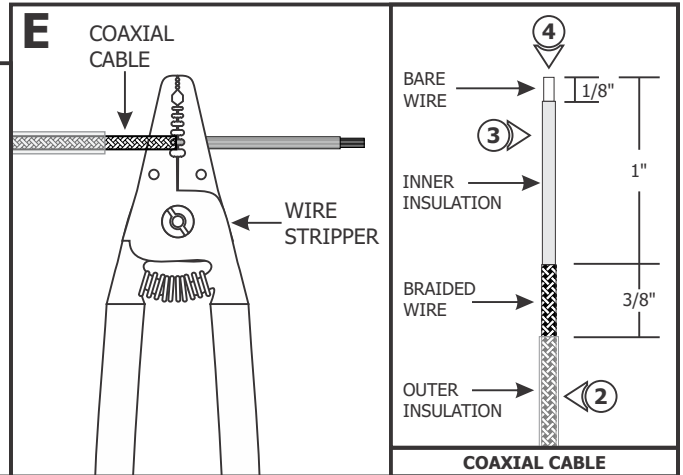
**NOTE:** If cable is curled or kinked, straighten by holding between the shaft of a screwdriver and thumb and pulling the cable through (see inset).

**NOTE:** Scan the QR Code to watch the video clip of the following steps or visit [https://www.PureEdgeLighting.com/video\\_feed/installation\\_cxc\\_connector](https://www.PureEdgeLighting.com/video_feed/installation_cxc_connector)

**2:** Use the 18AWG hole of the wire stripper to remove 1-3/8" of the outer insulation to expose the braided wire.

**3:** Use the 18AWG hole of the wire stripper to remove 1" of the braided wire making sure not to nick the inner wire insulation.

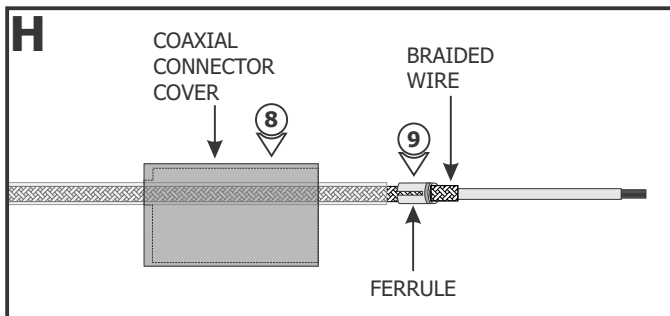
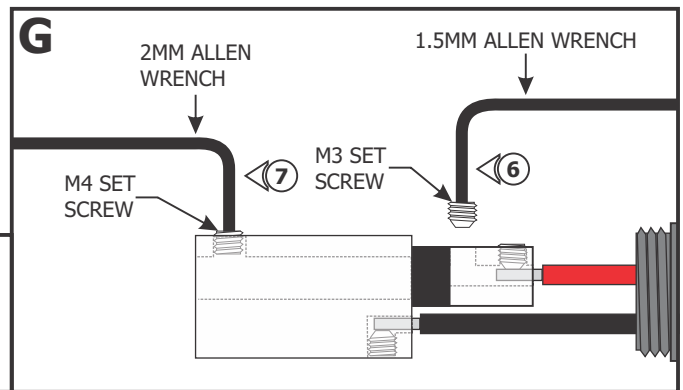
**4:** Use the 20AWG hole of the wire stripper to remove 1/8" of the inner insulated wire.



**5:** Unscrew the coaxial connector covers and remove from the connector assembly.

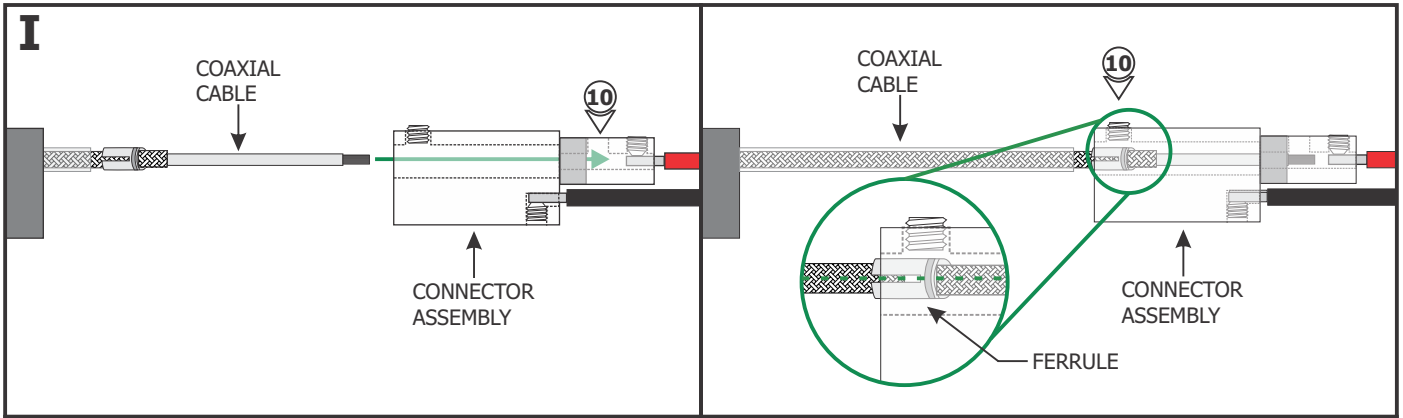
**6:** Using the provided 1.5mm Allen wrench, remove the M3 set screw from the coaxial connector assembly.

**7:** Using the provided 2mm Allen wrench to loosen (**Do Not Remove**) the M4 set screw.



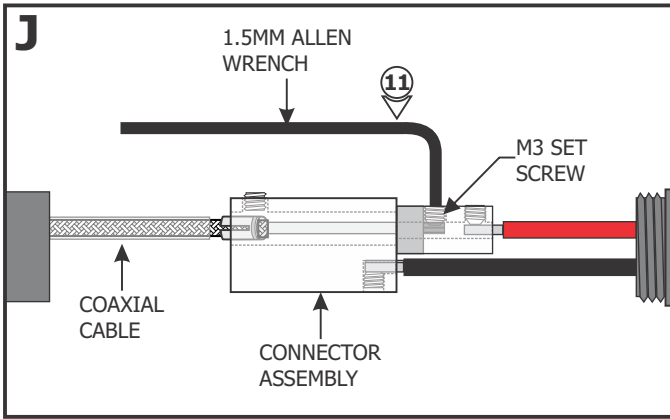
**8:** Slide the connector cover over the coaxial cable.

**9:** Place the ferrule over the 3/8" braided wire of the coaxial cable.

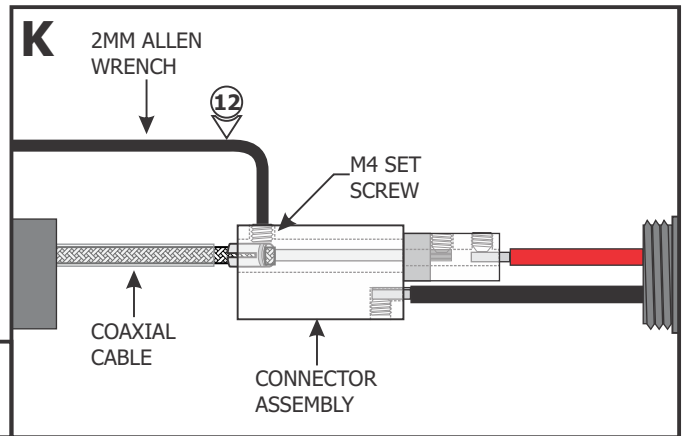


**10:** Insert the coaxial cable into the coaxial connector until the wires of the center conductor are visible through the M3 set screw hole.

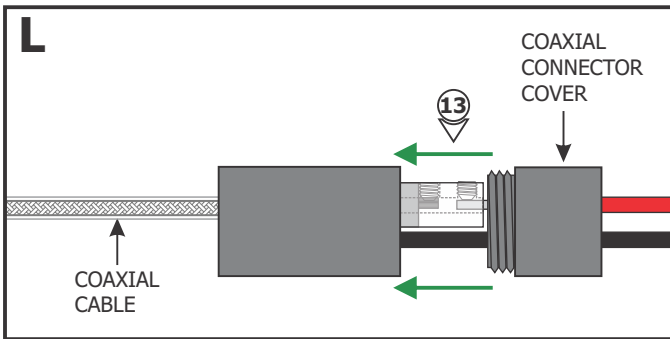
**NOTE:** Ensure that the split in the ferrule is aligned 90° from the M4 set screw (see inset).



**11:** Use the provided 1.5mm Allen wrench to replace and securely tighten the M3 set screw.



**12:** Use the provided 2mm Allen wrench to securely tighten the M4 set screw until it squeezes the wire ferrule tightly to the coaxial cable.

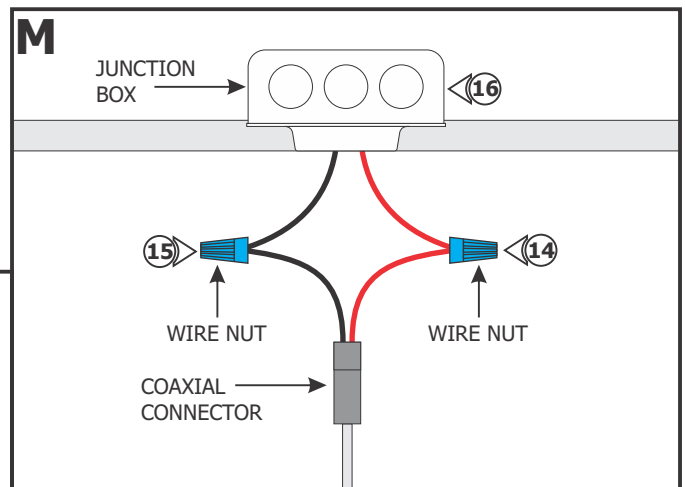


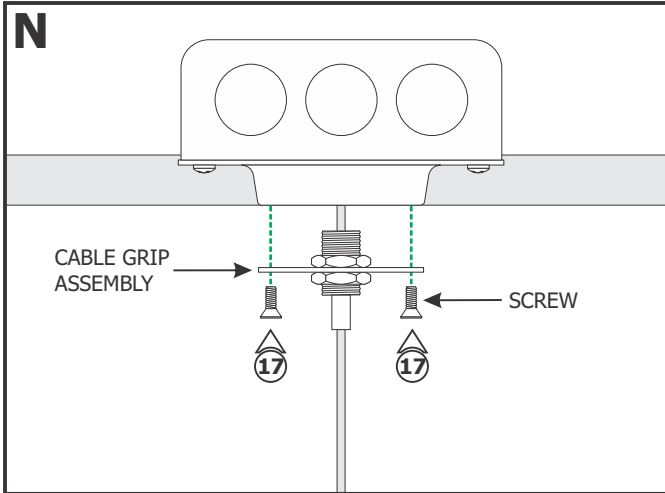
**13:** Replace the coaxial connector cover and tighten into place.

**14:** Connect the red wire of the coaxial connector to the +24VDC power supply wire with a wire nut.

**15:** Connect the black wire of the coaxial connector to the -24VDC power supply wire with a wire nut.

**16:** Place all connections inside the junction box.



**N**

**17:** Insert all wires into the junction box and mount the cable grip assembly to the 2" Plaster Ring using the screws provided.

**18:** Place the canopy over the cable grip against the ceiling. Secure it in place by tightening the knurled nut to the cable grip. **Make sure the knurled cap is not cross threaded.**

**19:** If necessary, press the tab on the cable grip to adjust the cable height.

**O**